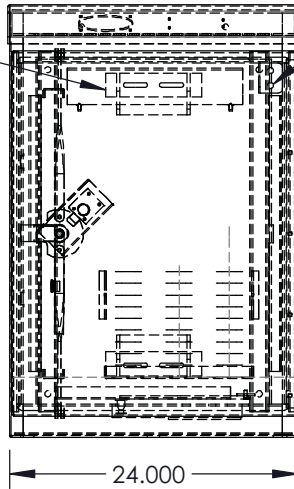


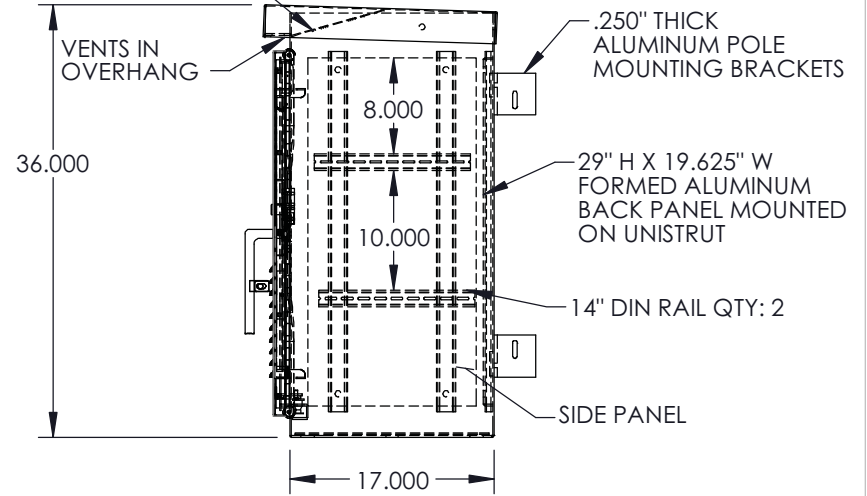
DOUBLE THICKNESS  
POLE MOUNTING  
STIFFENER PLATES ON  
REAR WALL



DOOR  
SWITCH  
BRACKET

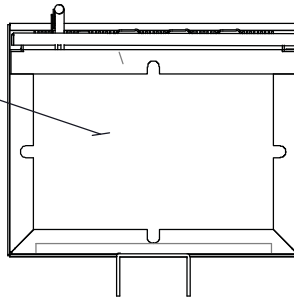
**FRONT VIEW**

SINGLE 4"  
FAN PLENUM



**RIGHT SIDE VIEW**

SOLID BOTTOM



**BOTTOM VIEW**

**NOTES**

1. CABINET IS CONSTRUCTED FROM .125" THICK 5052 H-32 ALUMINUM AND IS POLE MOUNTED.
2. CABINET HAS TWO 30" LONG EQUIPMENT MOUNTING RAILS ON THE LEFT AND RIGHT SIDE FOR MOUNTING A POWER PANEL AND TWO RAILS ON THE REAR WALL FOR MOUNTING A 29" H X 19.625" W FORMED ALUMINUM BACK PANEL , AND A SINGLE 4" FAN PLENUM .
3. DOOR HAS LOUVERS WITH A 12" X 12" FIBERGLASS AIR FILTER , THREE POINT LATCHING WITH A 3/4" DIA. PAD-LOCKABLE STAINLESS STEEL HANDLE AND #2 LOCK, A THREE POSITION DOOR STOP , A CONTINUOUS CONCEALED STAINLESS STEEL HINGE , A DOOR SWITCH BRACKET , AND IS SEALED WITH CLOSED CELL NEOPRENE GASKET .
4. CABINET HAS DOUBLE THICKNESS POLE MOUNTING STIFFENER PLATES WELDED TO THE REAR WALL WITH TWO POLE MOUNTING BRACKETS MANUFACTURED FROM .250" THICK 5052 H-32 ALUMINUM .
5. ALL HARDWARE IS STAINLESS STEEL.
6. CABINET IS RATED 3R AND IS UL LISTED.



**Southern  
Manufacturing**  
150 Hope Street  
Longwood, FL 32750  
ph: 407-894-8851  
fx: 407-831-1508

MATERIAL: 5052H-32 ALUMINUM .125"

FINISH:

NAME  
LAB

DATE  
1/10/2013

DRAWN By:

CHECKED:

MFG APPR:

Cust APPR:

**SOUTHERN  
MANUFACTURING CO.**

P/N: CA-125-36X24X17-SUBMITTAL

**SUBMITTAL DRAWING**

Scale: 1:16

Sheet 1 of 1

Rev: 0

SIZE **A**

**PROPRIETARY AND CONFIDENTIAL**

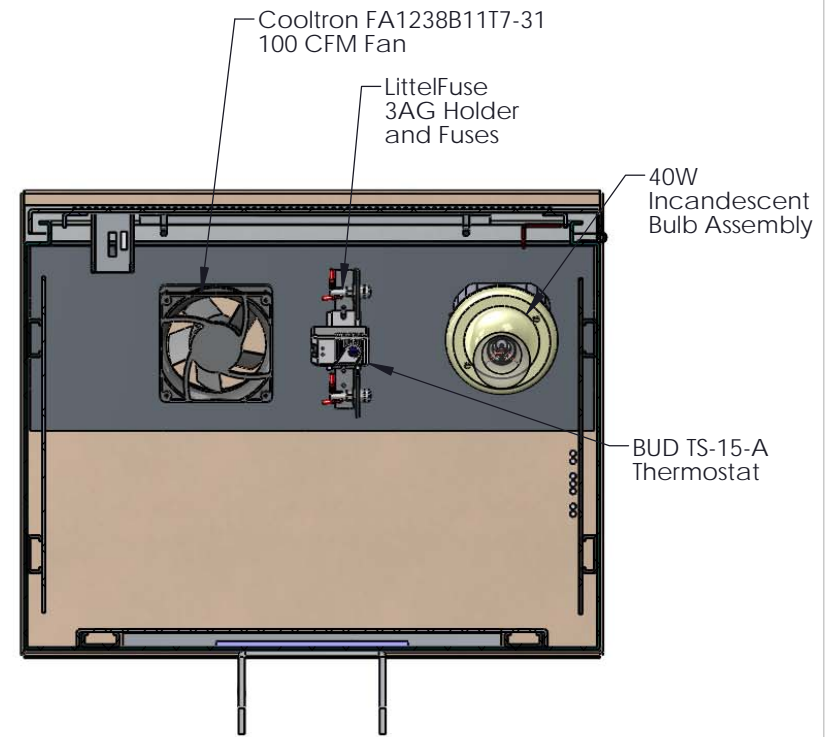
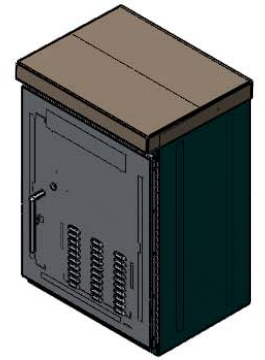
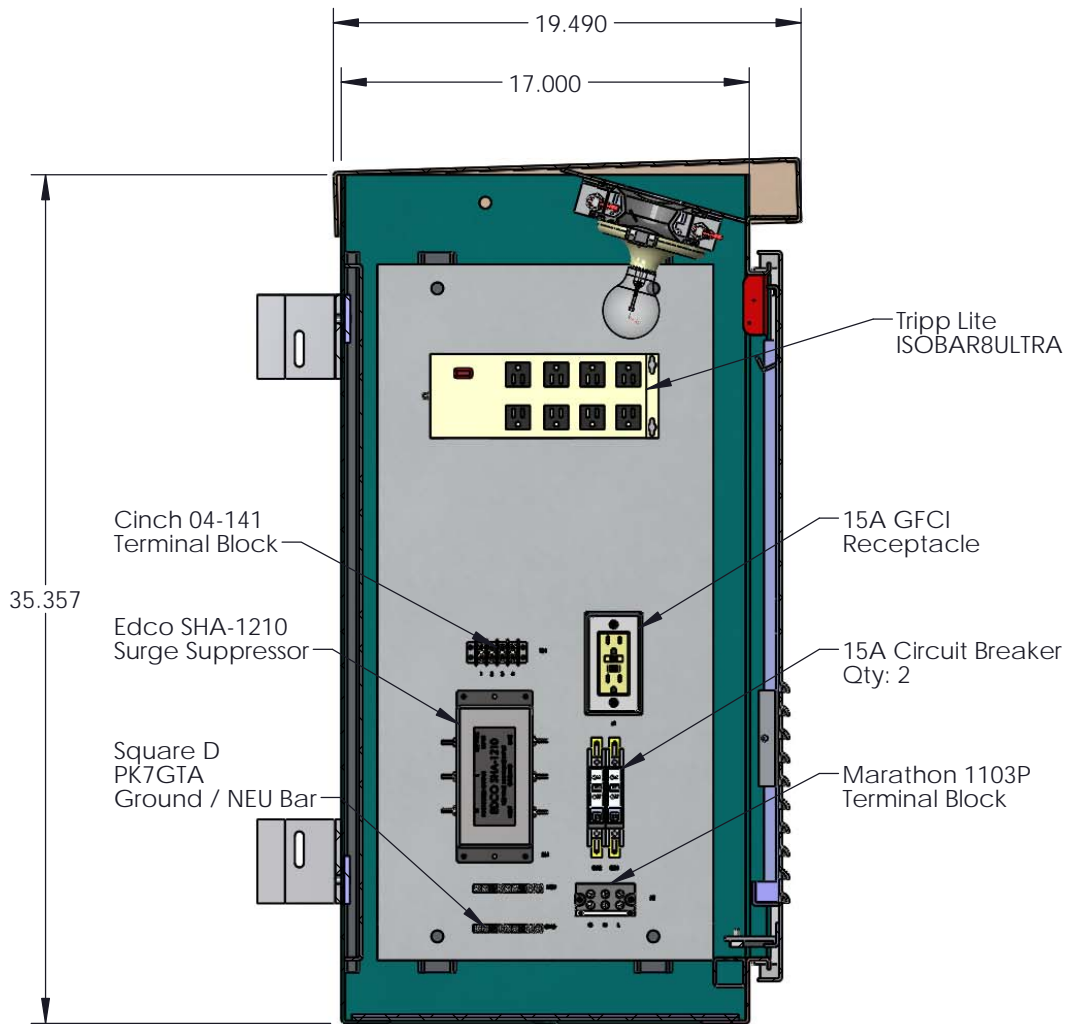
The information contained in this drawing is the sole property of Southern Manufacturing. Any reproduction in part or as a whole without the written permission of Southern Manufacturing is prohibited.

**SOUTHERN MANUFACTURING  
IOWA DEPARTMENT OF TRANSPORTATION  
ITS – POLE MOUNTED - CABINET SPECIFICATIONS**

1. Southern's enclosures are proudly *Made In America* at our ISO 9001:2008 registered facility.
2. Southern's IDOT ITS Field Cabinet, is a front door, 36"H. x 24"W. x 17"D., pole mounted cabinet, is fabricated from .125" thk. aluminum, 5052-H32, and is UL rated 3R.
3. Cabinet finish: unpainted, mill finish.
4. All exterior cabinet body seams are to be continuously welded. Top of cabinet is skip welded (on interior) to cabinet body, with interior seam then sealed with silicone. Bottom plate is skip welded (on interior) to cabinet body, with interior seam then sealed with silicone. (note: exterior of top, and exterior of bottom plate seams are not All edges to be filed / deburred.
5. Cabinet is for pole mounting with a solid bottom.
6. Front door is hinged on right side (as viewed from front).
7. Internal, reinforcement pole mount plates are welded on the interior back wall.
8. Aluminum pole mount brackets, set of two, installed (or shipped loose, as per customer requirements) on cabinet external rear. Pole mount brackets are fabricated from .250" thk. aluminum, 5052-H32, mill finish.
9. Front door with APL #C03001R - #2 deadbolt (Corbin style) lock, with two keys.
10. Front door with padlockable 3/4" dia. stainless steel door handle, with internal gasket seal.
11. Front door with three point door latching with stainless steel center cam, aluminum push rods (1/4"T x 3/4"W) & nylon rollers for top and bottom strikers.
12. Front door with (1) three position door stop rod (90°, 120° & 170° ±10°). Door stop rods are 1/4" T. x 1/2" W. steel, plated yellow zinc.
13. Front door with (1) full length, 14 Ga. stainless steel, concealed, continuous hinge. Door hinge pins are spot welded to prevent pin removal. Door hinges are concealed mounted and are not removable without opening door.
14. Doors are designed for 100-pound-per-vertical-foot of door height load. Louvers are provided in front door, with (1) replaceable, fiberglass air filter (12" x 12"). Filter secured by spring. Lower filter support bracket forms a sump, and drains any accumulated water outside the cabinet thru the bottom louver.
15. Door openings are double flanged, all around. Doors are provided with permanently bonded, closed cell neoprene gaskets. Gasket support angles are provided to support the door gasket all around the door.
16. Document bracket hooks are mounted on front door. A 12" x 15" plastic document pouch (with brass eyelets) is included.
17. Top lid of the cabinet overhangs the front door. Top lid of the cabinet is sloped to rear to prevent standing water. Exhaust vent slots (1/8" x 1") are provided on the underside of the front top lid overhang.
18. Cabinet has (2) welded-in, equipment mounting rails, each side, for side panels.
19. Cabinet, has (2) welded-in, equipment mounting rails, interior rear wall, for back panel.
20. Cabinet provided with (2) full height, flat, aluminum side panels. Side panels fabricated from .125" thk. aluminum, 5052-H32, and are 29" H. x 14" W. Side panels equipped as described below.
21. Cabinet provided with (1) full height, formed, aluminum back panel. Back panel is formed from .125" thk. aluminum, 5052-H32, and is 29" H. x 19.625" W.
22. Welded-in fan plate, for single 4" dia. fan, is provided.
23. Welded-in, two-hole, door switch bracket is provided.
24. Stainless steel cabinet hardware, Type 304.

**SOUTHERN MANUFACTURING  
IOWA DEPARTMENT OF TRANSPORTATION  
ITS – POLE MOUNTED - CABINET SPECIFICATIONS**

25. Cabinet equipped with, and wired for:
- a. (1) 120 Vac, 4", 110 CFM, ball bearing, fan, Cooltron #FA1238B11T7-97, (located on fanplate).
  - b. (1) fan thermostat, Bud #TS15A, (located on fanplate).
  - c. (1) 1 A. fuse & fuse holder for fan, Littlefuse #3453LF3H & AGC-1, (located on fanplate).
  - d. (1) 120 Vac, 40 watt, medium base, incandescent light, Grainger #5V609. Mounted in porcelain lampholder, (located on fanplate).
  - e. (1) 1 A. fuse & fuse holder for light, Littlefuse #3453LF3H & AGC-1, (located on fanplate).
  - f. (1) door switch for light, Eaton #8411K7. Switch is located in the top position of the door switch bracket, insulated with heatshrink tubing (located on fanplate).
26. Cabinet equipped with (1) full height, flat aluminum, right side panel, 29" high x 14" wide, equipped with and wired for:
- a. 15 A., 120 Vac, 3W, single phase power.
  - b. (1) service entrance terminal block, 3P, #4 wire, 70 A, Marathon #1103P.
  - c. (1) 15 A., single pole, equipment breaker, 10 K AIR, Square D #QOU115.
  - d. (1) 15 A., single pole, auxiliary breaker, 10 K AIR, Square D #QOU115.
  - e. (1) main power, filtering, surge arrester, 120 Vac, 10 Amp operating current, 1 phase, 32.5kA/mode rated, series connected, Edco #SHA-1210.
  - f. (1) accessory GFCI receptacle, 120 Vac, 15 Amp, Hubbell #GF15IL, mounted in handy box, with metal cover plate.
  - g. (1) 7 tap ground bar, Sq D #PK7GTA, with seven positions rated for #14 to #4 copper wire.
  - h. (1) 7 tap, isolated, neutral bar, Sq D #PK7GTA, with seven positions rated for #14 to #4 copper wire.
  - i. (1) 4 position terminal blocks, Cinch #12-141, 20 amp rated.
  - j. (1) 8 outlet, power distribution unit (power strip), Tripp-Lite #ISOBARULTRA, 120 Vac, AC suppression joule rating of 3840, 8 NEMA 5-15R output receptacles.
  - k. silkscreened legend.
27. Cabinet equipped with (1) full height, flat aluminum, left side panel, 29" high x 14" wide, equipped with:
- a. (2) standard DIN rails, 14" long.



**Southern Manufacturing**  
 150 Hope Street  
 Longwood, FL 32750  
 ph: 407-894-8851  
 fx: 407-831-1508

MATERIAL: 5052H-32 ALUMINUM .125"

FINISH:

**SOUTHERN MFG. CO.**

NAME DATE  
 DRAWN By: AE 1/15/2013

CHECKED:

MFG APPR:

Cust APPR:

P/N: CA-125-36X24X17-MAIN-ASSY

Rev:

Default

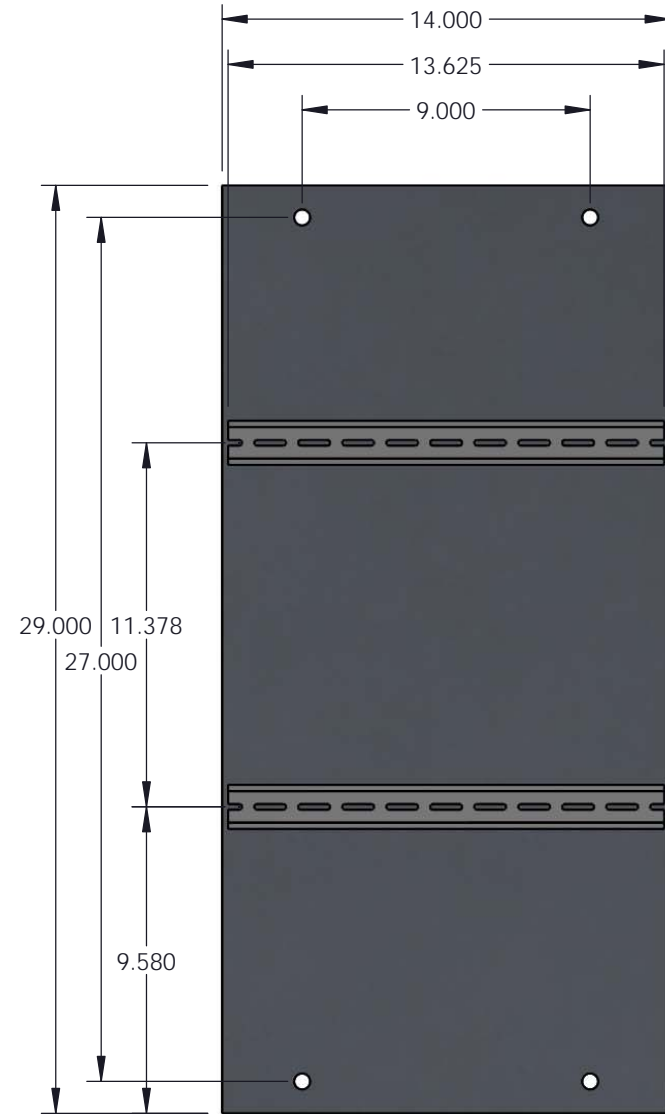
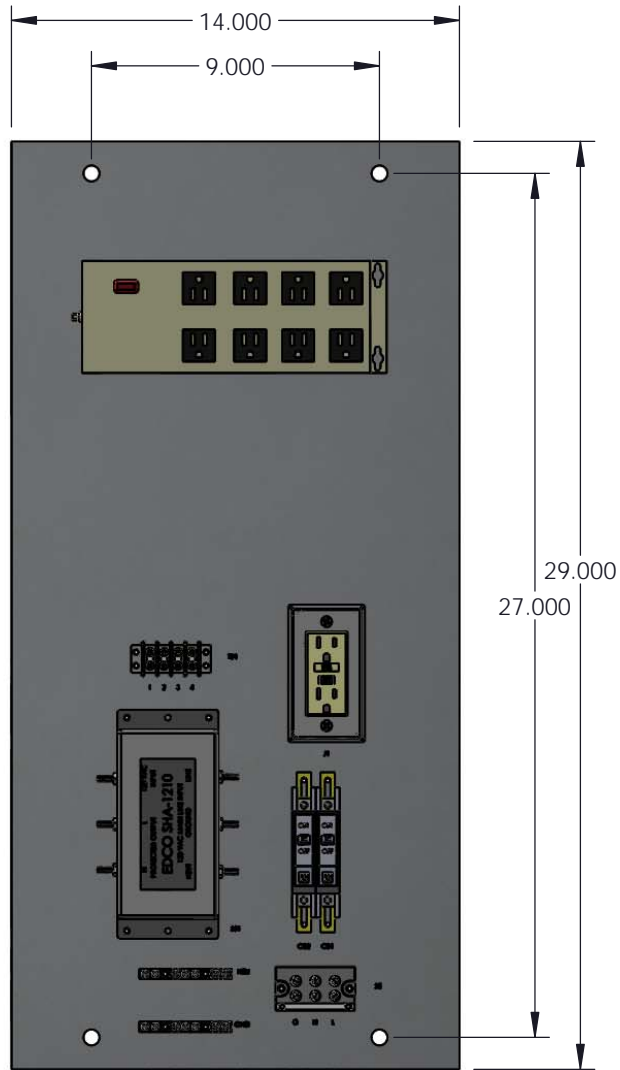
Scale:

Sheet 1 of 4

SIZE **A**

PROPRIETARY AND CONFIDENTIAL

The information contained in this drawing is the sole property of Southern Manufacturing. Any reproduction in part or as a whole without the written permission of Southern Manufacturing is prohibited.



RIGHT SIDE POWER PANEL

LEFT SIDE DIN PANEL



Southern Manufacturing

150 Hope Street  
Longwood, FL 32750  
ph: 407-894-8851  
fx: 407-831-1508

**SOUTHERN MANUFACTURING**

MATERIAL:

FINISH:

NAME

DATE

DRAWN By:

TSH

1/15/2013

CHECKED:

MFG APPR:

Cust APPR:

**SOUTHERN MANUFACTURING CO.**

P/N: Assy-Sidepanel-01

Rev: 0

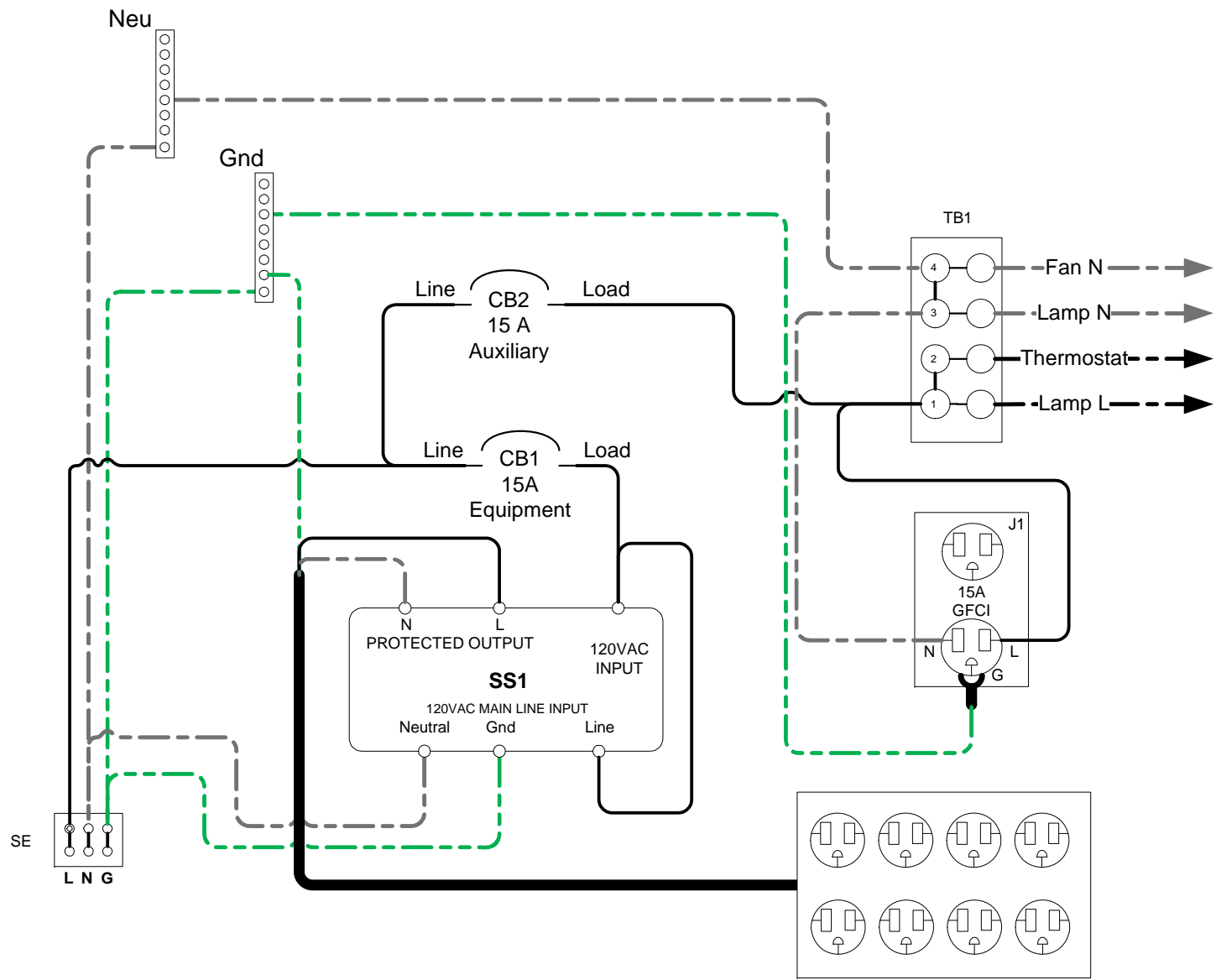
Scale:

Sheet 2 of 4

SIZE **A**

**PROPRIETARY AND CONFIDENTIAL**

The information contained in this drawing is the sole property of Southern Manufacturing. Any reproduction in part or as a whole without the written permission of Southern Manufacturing is prohibited.



**Southern Manufacturing**  
 150 Hope Street  
 Longwood, FL 32750  
 ph: 407-894-8851  
 fx: 407-831-1508

MATERIAL:  
 FINISH:

	NAME	DATE
DRAWN By:	AE	1/15/2013
CHECKED:		
MFG APPR:		
Cust APPR:		

P/N: ESD Power Panel

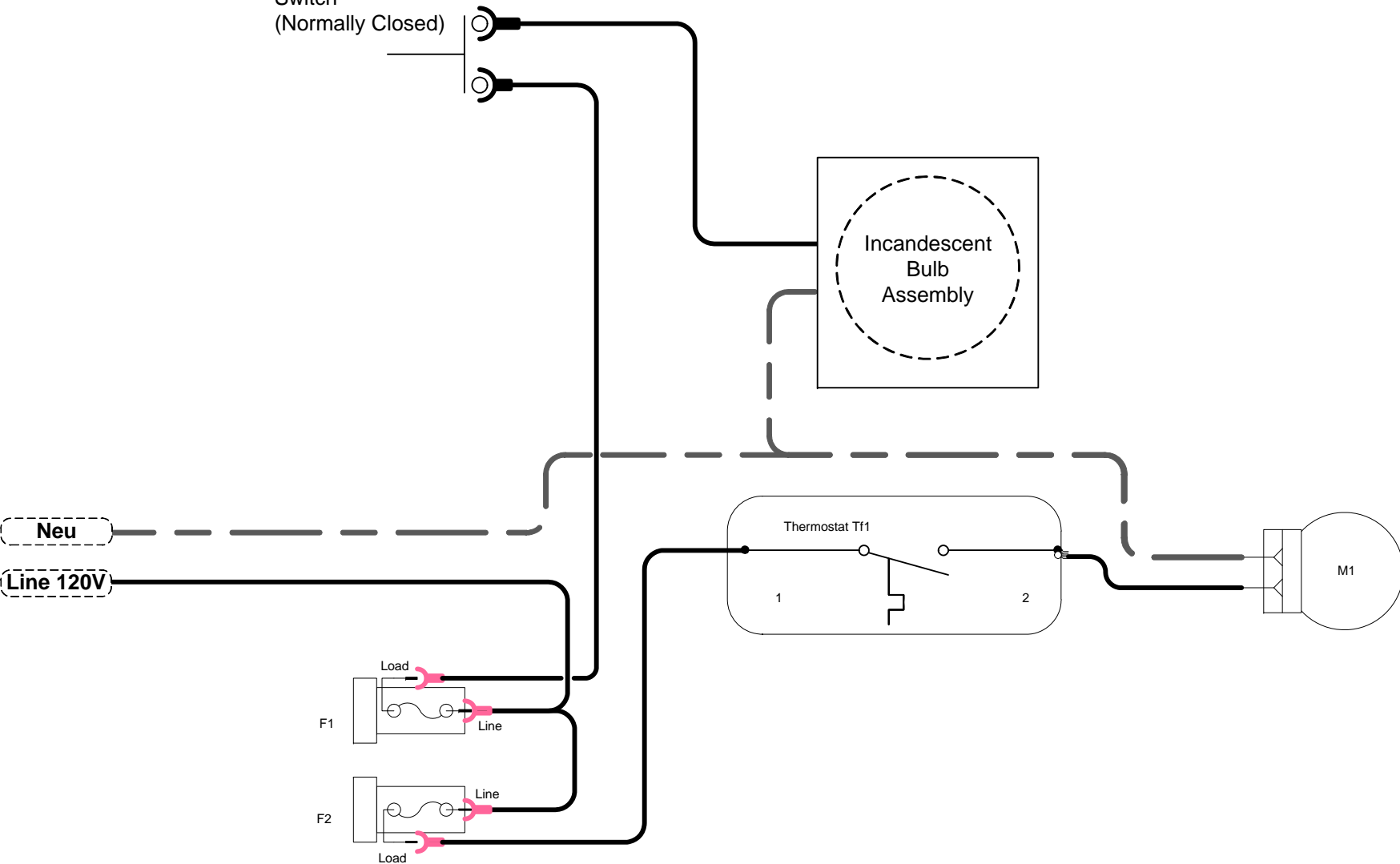
Rev: 0  
 Rev Date:

Scale: Sheet 3 of 4 SIZE **A**

PROPRIETARY AND CONFIDENTIAL

The information contained in this drawing is the sole property of Southern Manufacturing. Any reproduction in part or as a whole without the written permission of Southern Manufacturing is prohibited.

S1 Door Light  
Switch  
(Normally Closed)



**Southern Manufacturing**  
150 Hope Street  
Longwood, FL 32750  
ph: 407-894-8851  
fx: 407-831-1508

	NAME	DATE
DRAWN By:	AE	1/15/2013
CHECKED:		
MFG APPR:		
Cust APPR:		

P/N: [SWP]-1FA1LN2F1SC1T-INC

Config:

Rev: 0  
Rev Date:

Scale: Sheet 4 of 4 SIZE **A**

PROPRIETARY AND CONFIDENTIAL

The information contained in this drawing is the sole property of Southern Manufacturing. Any reproduction in part or as a whole without the written permission of Southern Manufacturing is prohibited.

**SOUTHERN MANUFACTURING  
IOWA DEPARTMENT OF TRANSPORTATION  
ITS POLE MOUNTED FIELD CABINET  
CATALOG CUT SUBMITTAL**

PAGES	DESCRIPTION
1	APL C03001R(PAL8) DEADBOLT LOCK, #2 KEY (updated cut sheets)
2-4	SQUARE D CIRCUIT BREAKER #QOU115
5-6	EDCO AC POWER SURGE SUPPRESSOR #SHA-1210
7	MARATHON TERMINAL BLOCK #1103P
8	CINCH TERMINAL BLOCK #4-141
9-11	SQUARE D GROUND / NEUTRAL BAR #PK7GTA
12	HUBBELL 15A GFCI RECEPTACLE #GF15ILA
13-16	TRIPLE POWER DISTRIBUTION UNIT #ISOBAR8ULTRA
17-19	EATON DOOR SWITCH #8411K7
20	GRAINGER LAMPHOLDER #5C406
21	GRAINGER INCANDESCENT LAMP #5V609
22-23	LITTELFUSE FUSE HOLDER #3453LF3H
24	LITTELFUSE FUSE #AGC-1
25-26	BUD THERMOSTAT #TS15A
27	COOLTRON FAN 110 CFM # FA1238B11T7-97



**AP Enterprises**

8/21/09

Spec Sheet for Cabinet Enclosure Lock  
Part Number: APL C03001R (pictured)



**#2 KEY - DEAD BOLT**

Description: Cabinet enclosure lock that is provided with two keys and a dust cap to cover the keyway

Options: Available in a right hand (pictured) or left hand version as well as a dead bolt (pictured) or slam bolt version

Material: Brass

Manufacturing description: Casting and machining of parts to produce cabinet locks

Availability: Our APL C03001R (pictured) model is in stock in our US warehouse

Certificate of Origin: China

Technical sheet: Drawings are available upon request

Cost: Please contact an AP Enterprises Representative for a quote

Vendor information: AP Enterprises is the vendor responsible for this lock. Please feel free to contact us at the information below or through your local representative.

**AP Enterprises**  
**3209 Bridle Path Court**  
**Garland, TX 75044**  
**972-215-9555**  
[www.apenterprises.net](http://www.apenterprises.net)

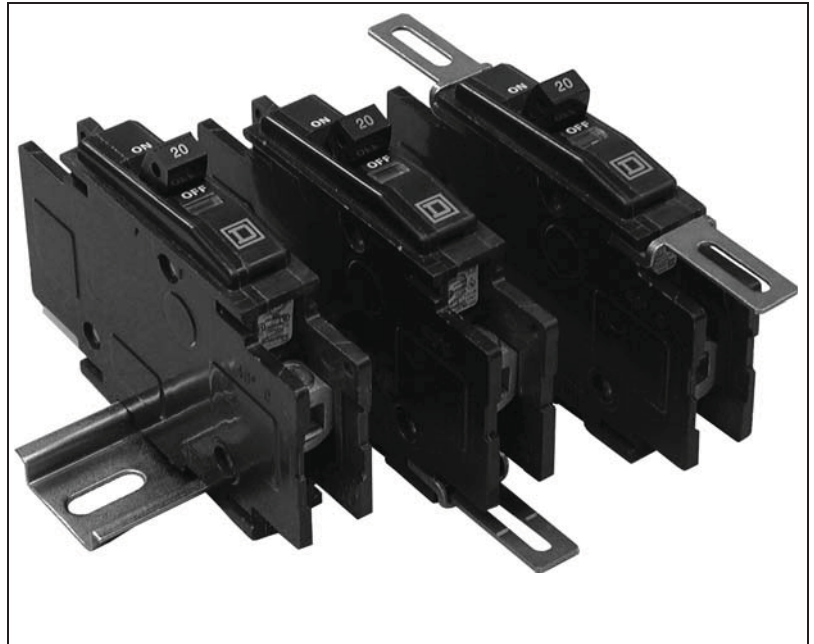
SQ D #QOU115 - 15 A., 1P

# QOU Miniature Circuit Breakers and Switches Unit Mount (Cable-in/Cable-out)

Class 720

Catalog  
September

# 2005



## CONTENTS

Description .....	Page
Application Information .....	page 2
Accessories .....	page 12
UL Requirements .....	page 17
Circuit Breaker Tripping Characteristics (Trip Curves) .....	page 19
Dimensions .....	page 28
QYU One-Pole 277 Vac Supplementary Protectors .....	page 30

# QOU Miniature Circuit Breakers and Switches

## Application Information

### APPLICATION INFORMATION

#### QOU Miniature Circuit Breaker Types

Miniature molded case circuit breakers are intended for use in residential and commercial applications. They are tested and listed according to UL Standard 489 and CSA Standard C22.2 No. 5-02 for molded case circuit breakers and enclosures.

QOU miniature circuit breakers are unit-mount (lug/lug) thermal-magnetic circuit breakers which:

- Provide a means to manually open a circuit.
- Automatically open a circuit under overload or short circuit conditions.
- Feature common tripping of all poles.
- Have a Visi-Trip<sup>®</sup> trip indicator.
- Can be flush-, surface-, or DIN rail-mounted.
- Has lugs at both ends (cable-in/cable-out construction)
- Operate in any position.
- Are fully tested, UL Listed, and CSA certified for reverse connection without restrictive line/load markings.

#### Non-automatic Switches

QOU non-automatic switches are intended for use as disconnect devices only. UL Standard 489 requires switches to be protected by a thermal-magnetic circuit breaker (or fuse) of equivalent rating. QOU switches are UL Listed for use on circuits capable of delivering not more than 10,000 amperes when protected by an equivalent rated circuit breaker or fuse. QOU switches contain no automatic tripping mechanisms and do not provide overcurrent protection.

#### Description

QOU miniature circuit breakers and switches are available for surface-, flush-, or DIN rail mounted applications in one-, two-, and three-pole constructions. QOU miniature circuit breakers are used for overcurrent protection and switching on both ac and dc electrical systems. QOU circuit breakers and switches measure 0.75 in. (19 mm) wide per pole. Two- and three-pole circuit breakers are both equipped with an internal crossbar for common tripping of all poles. QOU switches are available in one-pole, 60 ampere and two- and three-pole, 60, 100 and 125 ampere construction.

Cases for QOU miniature circuit breakers and switches are constructed of a glass-reinforced insulating material that provides high dielectric strength. Current carrying components are isolated from the handle. The handle position indicates whether the circuit breaker is off, on or tripped.

#### Applications

One-pole QOU miniature circuit breakers rated 120/240 Vac are UL Listed for use on 120/240 Vac single-phase, three-wire or 208Y/120 Vac three-phase, four-wire electrical systems.

Two-pole QOU circuit breakers rated 120/240 Vac are UL Listed for use on 120/240 Vac single-phase, three-wire or 208Y/120 Vac three-phase, four-wire electrical systems. They cannot be used on 240 Vac delta systems. Use QOU-H two-pole circuit breakers rated 240 Vac on 240 Vac delta and 240 Vac single-phase, two wire systems.

Three-pole QOU circuit breakers rated 240 Vac are UL Listed for use on any system where the maximum phase-to-phase or phase-to-ground voltage is 240 Vac or less.

For application information on other systems, contact your local field office

# QOU Miniature Circuit Breakers and Switches Application Information

**Table 1: Selection Data**

Rating		Catalog Number					Terminal Lug Wire Size (AWG)
		One-Pole		Two-Pole		Three-Pole	
		120/240 Vac		120/240 Vac	240 Vac	120/240 Vac	
		10K AIR	22K AIR	10-K AIR	22K AIR	10K AIR	
10-A	QOU110	—	QOU210	—	QOU310	1—#14—#2 Cu or Al	
15-A	QOU115*	QOU115VH	QOU215*	QOU215H*	QOU315*		
15-A	QOU115HM*†	—	—	—	—		
20-A	QOU120*	QOU120VH	QOU220*	QOU220H*	QOU320*		
20-A	QOU120HM*†	—	—	—	—		
25-A	QOU125*	QOU125VH	QOU225*	QOU225H*	QOU325*		
30-A	QOU130*	QOU130VH	QOU230*	QOU230H*	QOU330*		
35-A	QOU135*	QOU135VH	QOU235*	—	QOU335*		
40-A	QOU140*	QOU140VH	QOU240*	—	QOU340*		
45-A	QOU145*	QOU145VH	QOU245*	—	QOU345*		
50-A	QOU150*	QOU150VH	QOU250*	—	QOU350*		
60-A	QOU160*	QOU160VH	QOU260*	—	QOU360*		
70-A	QOU170*	—	QOU270*	—	QOU370*‡		1—#12—#2/0 Cu or Al
80-A	QOU180*‡	—	QOU280*‡	—	QOU380*‡		
90-A	QOU190*‡	—	QOU290*‡	—	QOU390*‡		
100-A	QOU1100*‡	—	QOU2100*‡	—	QOU3100*‡		
125-A	—	—	QOU2125*‡	—	—		
Switch—60 Amperes Max.—240 Vac				QOU200	QOU300	1—#14—#2	
Switch—100 Amperes Max.—240 Vac				QOU2000*‡	QOU3000*‡	1—#12—#2/0	
Switch—125 Amperes Max.—240 Vac				QOU20001*‡	QOU30001*‡	1—#12—#2/0	

\* UL Listed as HACR type for use with heating, air conditioning and refrigeration equipment containing motor-group combinations and marked for use with HACR type circuit breakers.

† High-magnetic trip circuit breakers. Recommended for applications where high initial inrush current can occur and for individual dimmer applications.

‡ Available as Series 1 with forward box lugs only. (No optional terminations)

## Tripping Mechanisms

A tripping mechanism is an assembly within the circuit breaker molded case that causes the circuit breaker to open automatically under sustained overload or short circuit conditions.

The tripping mechanisms in two- and three-pole circuit breakers operate such that an overcurrent on any pole of the circuit breaker will cause all poles of the circuit breaker to open simultaneously. Thermal and magnetic factory calibration (with current) is performed on each pole of every Square D circuit breaker.

These mechanisms operate to trip the circuit breaker:

- Thermal trip
- Magnetic trip
- Optional shunt trip accessory (see Accessories, page 12)

The sensing system is an integral part of a thermal-magnetic circuit breaker. The sensing system continually monitors current flowing through the circuit breaker. It detects abnormal current conditions and, depending on the magnitude of the current, initiates an inverse-time or an instantaneous tripping response. This action causes the tripping mechanism to open the circuit breaker contacts and interrupt current flow. The speed of the tripping process must be controllable and inversely matched to the severity of the overcurrent. QOU miniature circuit breakers have an over-center toggle mechanism for quick-make, quick-break action with positive handle indication. The handle assumes a position between ON (I) and OFF (O) when the circuit breaker has tripped.



## Traffic Signaling Products

**SHA-1210**  
120VAC / 1 Phase / Filtered

The **SHA-1210** filtering surge protector absorbs power line noise and switching transients that other suppressors and RFI filters pass through. The **SHA-1210** can replace the RFI filter when high attenuation of noise above 25 MHz is not required. If random time-base, memory loss, or other problems are affecting some of your intersections, this state-of-the-art protector can be of great benefit when properly installed.

### CAUTION

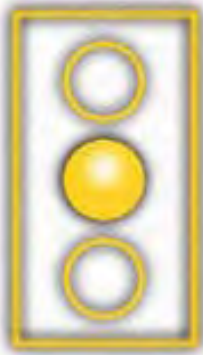
1. This product could become excessively hot and rupture in the rare event of power line conditions or surge that exceeds its rated operating specification. Appropriate precautions should be exercised.
2. High voltages are present on electrical termination. Unit should be serviced by qualified personnel only.

### SPECIFICATIONS

Peak Current (8x20μs)	20,000 Amps*
Life Test	5% change (voltage clamp before and after 25 surges of 20kA waveshape)
Clamp Voltage	280V typ. @ 20 kA
Response Time	<5ns
Continuous Service Current	10 Amps max. 120VAC, 60Hz
Dimensions (LxWxH, not incl. GND)	7.15 in. x 3.13 in. x 2.3 in.
Operating Temperature	-40°C to +85°C

\* Tested with MAIN NEUTRAL strapped to ground

**Keeping You Connected!**



**NEED HELP?**  
Call 1-800-648-4076

1805 N.E. 19th Avenue  
P.O. Box 1778  
Ocala, Florida 34478

(352) 732-3029  
FAX (352) 867-1237

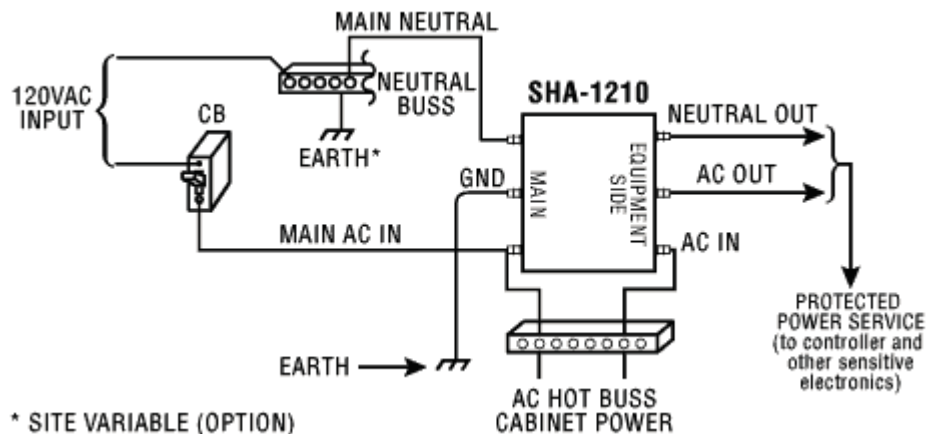
Sales: 1-800-648-4076

E-mail us at:  
edco@edcosurge.com

Internet:  
http://www.edcosurge.com



### INSTALLATION

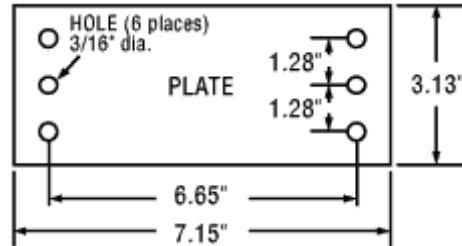


■ Traffic Signaling Products

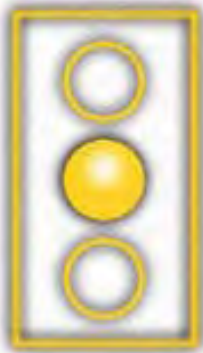
SHA-1210  
120VAC / 1 Phase / Filtered



**MOUNTING**



**Keeping  
You  
Connected!**



**NEED HELP?  
Call 1-800-648-4076**

1805 N.E. 19th Avenue  
P.O. Box 1778  
Ocala, Florida 34478

(352) 732-3029  
FAX (352) 867-1237

Sales: 1-800-648-4076

E-mail us at:  
edco@edcosurge.com

Internet:  
<http://www.edcosurge.com>



# Heavy Duty Terminal Blocks

## 1103P and ~~1200~~ Series - Deadfront Type

600 Volts AC/DC (UL/CSA)

630 Volts (CE) - 1103P

~~800 Volts (CE) - 1200 Series~~

### Specifications:

- Base, General Purpose Phenolic, 150°C
- Connector, Aluminum, Tin Plated
- Screws, Steel, Nickel (Ni) Plated
- Current Rating up to **70 Amps**
- 1103P Wire Range #4 - #14 AWG CU
- ~~1200 Series Wire Range #4 - #18 AWG CU~~
- UL Recognized File No. XCFR2.E62806
- CSA Certified File No. LR19766
- **CE**
- RoHS Compliant



1103P

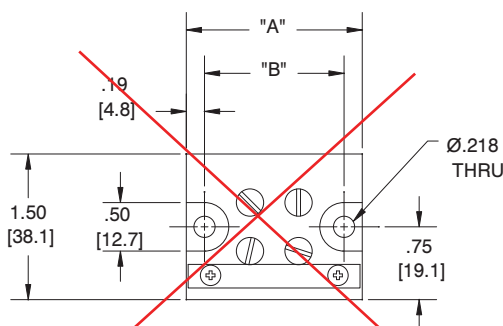


~~1206~~

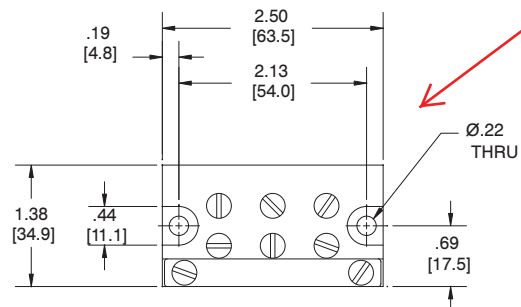
Catalog #	# of Poles	Dimensions	
		A	B
<del>1202</del>	2	<del>1.81</del>	<del>1.44</del>
<del>1204</del>	4	<del>2.81</del>	<del>2.44</del>
<del>1206</del>	6	<del>3.81</del>	<del>3.44</del>

For electronic drawings or 2D/3D CAD data, send request to [drawings@marathonsp.com](mailto:drawings@marathonsp.com)

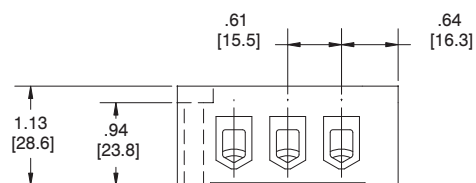
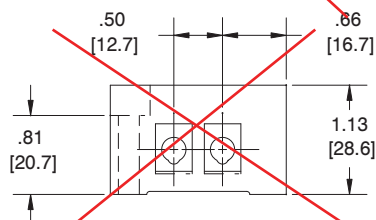
mm = dim X 25.4



~~1200 Series~~



1103P Series



# Barrier Blocks Series 141

.438 Density, 6-32 x 1/4"  
BH Screw, Open Bottom,  
Double Row



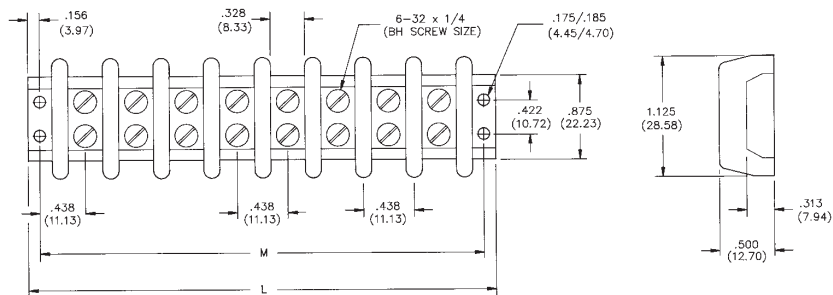
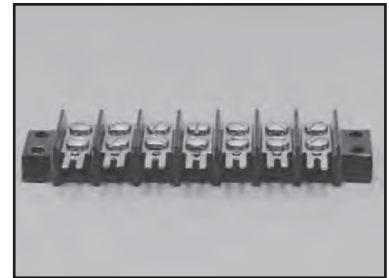
### Electrical Characteristics

**Voltage Rating:** 250 VAC RMS maximum  
**Current Rating:** 20 Amps maximum  
**Maximum Watts Per Terminal:** 5000

### Mechanical Characteristics

**Maximum Wire Size:** #14 AWG  
**Recommended Tightening Torque:** 12 lb.-in.

### Dimensions



### Ordering Information

No. of Terminals	Standard Screw Catalog No.	"M" Dim.	"L" Dim.
1	1-141	.875	1.187
2	2-141	1.312	1.625
3	3-141	1.750	2.062
4	4-141	2.187	2.500
5	5-141	2.625	2.938
6	6-141	3.062	3.375
7	7-141	3.500	3.812
8	8-141	3.938	4.250
9	9-141	4.375	4.687
10	10-141	4.813	5.125
11	11-141	5.250	5.562
12	12-141	5.687	6.000
13	13-141	6.125	6.437
14	14-141	6.562	6.875
15	15-141	7.000	7.312
16	16-141	7.437	7.750
17	17-141	7.875	8.187
18	18-141	8.312	8.625
19	19-141	8.750	9.062
20	20-141	9.187	9.500



Marketed exclusively through distribution.



# PK7GTA

Load Center Ground Bar Assembly, Circuit Breaker  
Type: PK



List Price \$7.80 USD

Availability **Stock Item:** This item is normally stocked in our distribution facility.

## Technical Characteristics

Height	9.30 Inches
Width	4.81 Inches
Marketing Trade Name	QO and Homeline
Circuit Breaker Type	PK
Application	Load Centers

## Shipping and Ordering

Category	00102 - Load Centers, Accessories, Type QO
Discount Schedule	DE3A
Article Number	785901026372
Package Quantity	1
Weight	0.08 lbs.
Availability Code	S
Returnability	Y

As standards, specifications, and designs change from time to time, please ask for confirmation of the information given in this document.

**HOMELINE®**  
**Circuit Breaker Load Centers**  
**Accessories**

PK15GTA SHOWN FOR  
REFERENCE ONLY



PK15GTA

**Grounding Bar Kits**

- Field installable in all load centers.
- Wire size of terminals (See Technical Information page 8.)
- Suitable for copper or aluminum wire.
- ~~Available with large lug PK15GTA-L, PK18GTA-L and PK23GTA-L. (See Technical Information page 8).~~



# HOMELINE®

## Circuit Breaker Load Centers

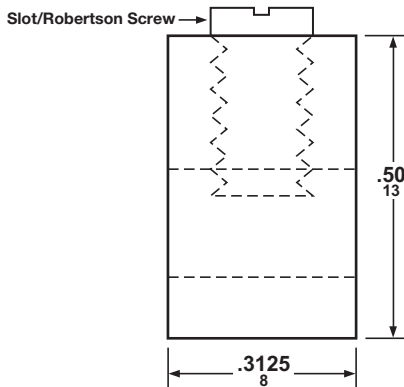
### Technical Information

#### Grounding Bar Kits

All PK Equipment Grounding Kits are supplied with mounting screws, necessary installation instructions and an "Equipment Grounding Terminal" self-adhesive label.

Catalog Number	Total Quantity	Terminals						Approximate Overall Length	☐ To ☐ Distance Between Mounting Holes	Mounting
		Quantity Each Size See Table "B" For Wire Range								
		I	II	III	IV	V	VI			
PK0GTA-2	2						2	$1\frac{3}{4}"$	One Hole	Top
PK0GTA-6	6					6		$4\frac{39}{64}"$	$1\frac{11}{16}"$	Top
PK3GTA-1	3	3						$1\frac{3}{8}"$	One Hole	Top
PK4GTA	4	4						$1\frac{5}{8}"$	One Hole	Top
PK5GTA	5	5						$2\frac{1}{4}"$	$1\frac{1}{4}"$	Top
PK7GTA	7	7						$2\frac{1}{8}"$	$1\frac{1}{4}"$	Top or Side
PK8GTA-1	3	3						$3\frac{1}{4}"$	One Hole	Top
PK9GTA	9	9						$3\frac{25}{32}"$	$3\frac{1}{8}"$	Top
PK12GTA	12	12						$4\frac{45}{64}"$	$3\frac{1}{8}"$	Top
PK15GTA	15	15						$5\frac{5}{8}"$	$3\frac{1}{8}"$	Top
PK15GTA-L	16	15	1					$8\frac{1}{8}"$	$3\frac{1}{8}"$	Top
PK15GTA-6	21	15			6			$5\frac{7}{8}"$	▲	Top
PK18GTA	18	18						$6\frac{9}{16}"$	$3\frac{1}{8}"$	Top
PK18GTA-L	19	18	1					$8\frac{13}{16}"$	$3\frac{1}{8}"$	Top
PK23GTA	23	23						$8\frac{7}{64}"$	$3\frac{1}{8}"$	Top
PK23GTA-L	24	23	1					$9\frac{1}{16}"$	$3\frac{1}{8}"$	Top
PK27GTA	27 or ●26	27 26			1			$9\frac{23}{64}"$	$3\frac{1}{8}"$	Top

● PK27GTA includes one main grounding lug which mounts by utilizing two terminal screws, requires three terminals for mounting.  
▲  $3\frac{1}{8}"$  on small terminals;  $5\frac{1}{4}"$  on large terminals.



Standard Ground Bar Profile Dimensions

Table B

Size	Cu (Awg)	Al (Awg)
I	(1) #14 to #4 or (2) #14 or #12	(1) #12 to #4 or (2) #12 or #10
II	(1) #1 to 4/0	(1) #1 to 4/0
III	(1) #6 to 2/0	(1) #6 to 2/0
IV	(1) #6 to 3/0	(1) #6 to 3/0
V	(1) #14 to 1/0	(1) #14 to 1/0
VI	(1) #10 to 2/0	(1) #6 to 2/0



# Ground Fault Products

## Heavy Duty Commercial GFCI Receptacles

15 and 20 Ampere, 125 Volts AC  
2 Pole, 3 Wire Grounding

Meets July 28, 2006  
UL Standard 943  
Class A GFCI



### 10ka Short Circuit Current Rating

- Comprehensive diagnostics.
  - When test button is actuated, both the electronic components and mechanical trip mechanism are functionally tested.
- Ground fault indicator.
  - Flashing **RED** indicates device has lost capability to provide protection.
- No power at face if reverse wired.
  - Open circuit condition eliminates false assumption of protection at face.
- Visible Termination.
  - External bundling clamp.



### Circuit Guard® GFCI Receptacles



GF15IL

Description	Rating	Color	Catalog Numbers	
Flush, nylon face, back and side wired, multiple drive screws.	15 and 20A 125V AC	Almond	<del>GF15ALL</del>	<del>GF20ALL</del>
		Black	<del>GF15BKL</del>	<del>GF20BKL</del>
		Brown	<del>GF15L</del>	<del>GF20L</del>
		Gray	<del>GF15GYL</del>	<del>GF20GYL</del>
		Ivory	<b>GF15IL</b>	<b>GF20IL</b>
		Light Almond	<del>GF15LAL</del>	<del>GF20LAL</del>
		Office White	<del>GF15OWL</del>	<del>GF20OWL</del>
		Red	<del>GF15RL</del>	<del>GF20RL</del>
		White	<del>GF15WL</del>	<del>GF20WL</del>

### Hospital Grade ● Circuit Guard® GFCI Receptacles



GFR8200HOWL

Description	Rating	Color	Catalog Numbers	
Flush, nylon face, back and side wired, multiple drive screws.	15 and 20A 125V AC	Almond	<del>GFR8200HALL</del>	<del>GFR8300HALL</del>
		Black	<del>GFR8200HBKL</del>	<del>GFR8300HBKL</del>
		Brown	<del>GFR8200HL</del>	<del>GFR8300HL</del>
		Gray	<del>GFR8200HGYL</del>	<del>GFR8300HGYL</del>
		Ivory	<del>GFR8200HIL</del>	<del>GFR8300HIL</del>
		Office White	<del>GFR8200HOWL</del>	<del>GFR8300HOWL</del>
		Red	<del>GFR8200HRL</del>	<del>GFR8300HRL</del>
		White	<del>GFR8200HWL</del>	<del>GFR8300HWL</del>

Notes: GFCI type receptacles should not be used in critical care, patient areas or for electrical life support equipment applications because of the possibility of power interruption. All GFCI receptacles listed above are furnished with a matching color nylon wallplate. 20 amp feedthrough capability.



**Tripp Lite**  
1111 West 35th Street  
Chicago, IL 60609 USA  
Telephone: +(773) 869 1234  
E-mail: [saleshelp@tripplite.com](mailto:saleshelp@tripplite.com)

## Model #: ISOBAR8ULTRA

### 8-Outlet Premium Isobar Surge Protector with 12-ft Cord and All-Metal Housing

#### Highlights

- 8 outlets/12-ft cord
- 3840 joule rating—more joules mean more protection!
- All-metal housing with diagnostic LEDs
- Isolated filter banks remove damaging line noise
- \$50,000 [Insurance](#) for connected equipment (USA & Canada only)



#### Description

For more than 20 years, America's leading companies have trusted Tripp Lite's Isobar Premium surge and noise protectors to protect sensitive computer, networking and telecom equipment. With more than 18 million satisfied customers, the Isobar remains the world's #1 selling premium surge protector. Loaded with a generous combination of high quality components, near indestructible all-metal case and unique noise filtration system, the Isobar offers the highest level of protection attainable in a multi-outlet strip. Robust surge suppression circuits with sine-wave tracking offer extreme levels of protection against the heaviest surge conditions exceeding IEEE 587 category A & B specifications and reducing 6,000V test surges to harmless levels under 35 volts. Isobar's unique protection system combines large toroidal chokes, ferrite rod-core inductors, HF/VHF capacitors and multiple layers of metal oxide varistors into exclusive isolated filter banks that remove EMI/RFI interference, even noise generated by other pieces of connected equipment. ISOBAR8ULTRA offers 8 outlets arranged in four filter banks to prevent system crashes, reboots and performance problems common as noisy system peripherals are powered off and on. Surge suppression rated at 3840 joules/97,000 amps offers network-grade protection. Widely spaced NEMA 5-15 outlets accommodate up to 4 large transformer plugs without blocking outlets. Diagnostic LEDs confirm power availability, line fault and protection status. Includes 12 foot AC line cord with space-saving angled input plug, keyhole mounting tabs and a set of 4 child safety covers.

PLUG/OUTLETS: Input: NEMA 5-15P/Output: 8 NEMA5-15R/12-ft. AC line cord

ELECTRICAL: 120V AC, 50/60Hz (Requires NEMA 5-15R wall receptacle)

SUPPRESSION: AC: 140V RMS Clamping/3840 joules/97,000 amps

FORMAT: Corded all-metal strip with transformer spaced outlets

#### Applications

- Ideal for premium protection of personal computers with peripherals, network and CAD/CAM/CAE workstations, internetworking accessories, telecommunications systems, point of sale equipment, audio/video and home theater systems in any home, office or industrial application.

#### Package Includes

- ISOBAR8ULTRA Surge Protector
- Set of 4 outlet safety covers
- Instruction manual with warranty information

#### Features

- Tripp Lite's ISOBAR is the world's #1 selling premium protector series with more than 18 million satisfied customers and a safety-tested history of 20+ years
- Robust surge suppression with sine-wave tracking protects against the heaviest of surge conditions, exceeding IEEE category A&B specifications and reducing 6,000V test surges to harmless levels less than 35 volts
- Multi-component suppression circuits combine toroidal chokes, ferrite rod-core inductors, HF/VHF capacitors and multiple layers of metal oxide varistors into exclusive isolated filter banks that remove EMI/RFI interference, even noise from other pieces of connected equipment
- 8 outlets arranged in four filter banks prevent system crashes, reboots and performance problems common as noisy peripherals are powered off and on

- Network grade surge suppression rated at 3840 joules/97,000 amps
- Widely spaced outlets accommodate up to 4 large transformer plugs without blocking outlets
- 3 LED indicators confirm surge protector operation and site wiring status, plus warning of protector or electrical fault conditions
- Lighted power switch with integrated 12 amp circuit breaker offers power control and overload protection
- 12 foot AC line cord with space-saving angled input plug
- Keyhole mounting tabs allow permanent installation
- Set of 4 outlet covers safely seal off unused outlets
- 120V AC, 50/60Hz electrical compatibility
- \$50,000 Ultimate Lifetime Insurance (USA and Canada Only)

## Specifications

<b>OVERVIEW</b>	
<b>Intended Application</b>	Home/Office, Computer Networks
<b>OUTPUT</b>	
<b>Frequency compatibility</b>	50 / 60 Hz
<b>Output watts</b>	1440
<b>Circuit Breaker (amps)</b>	12
<b>Outlet quantity / type</b>	8 NEMA 5-15R
<b>Transformer accommodation</b>	Supports up to 4 large transformer plug accessories without covering remaining outlets
<b>INPUT</b>	
<b>Nominal Input Voltage(s) Supported</b>	120V AC
<b>Recommended Electrical Service</b>	120V (110-125V)
<b>Input connection type</b>	NEMA 5-15P input plug
<b>Input plug features</b>	Space-saving right angle input plug
<b>Input cord length (ft.)</b>	12
<b>Input cord length (m)</b>	3.66
<b>Voltage compatibility (VAC)</b>	120
<b>Maximum Surge Amps</b>	150000
<b>LEDS ALARMS &amp; SWITCHES</b>	
<b>Switches</b>	Combination AC circuit breaker and two position red illuminated on/off power switch
<b>Diagnostic LEDs</b>	PROTECTION PRESENT (green), LINE FAULT (red) and LINE OK (green)
<b>SURGE / NOISE SUPPRESSION</b>	
<b>AC suppression joule rating</b>	3840
<b>AC suppression response time</b>	NM = 0 ns. CM =
<b>Protection modes</b>	Includes full normal mode (H-N) and common mode (N-G / H-G) line surge suppression
<b>Clamping voltage (RMS)</b>	140

<b>AC suppression surge current rating</b>	97,000 amps (36,000 NM / 61,000 CM)
<b>AC suppression components used</b>	Metal oxide varistors, toroidal balanced chokes, ferrite rod-core inductors and VHF capacitors.
<b>Safe thermal fusing</b>	Prevents unsafe conditions during extreme extended over-voltages and catastrophic occurrences
<b>UL1449 let through rating</b>	330V
<b>IEEE587 Cat. A ringwave let through</b>	Less than 35 volts
<b>EMI / RFI filtering</b>	40-80 dB
<b>Isolated filter banks</b>	Unique isolated filter bank design offers additional filtering between each duplex pair of outlets on the strip to prevent electrical noise interference between connected loads. Includes 4 filter banks.
<b>Immunity</b>	Conforms to IEE 587 / ANSI C62.41
<b>DATALINE SURGE SUPPRESSION</b>	
<b>Cable (Coax) Protection</b>	No
<b>Network (Ethernet) Protection</b>	No
<b>PHYSICAL</b>	
<b>Shipping weight (lbs)</b>	3.8
<b>Shipping weight (kg)</b>	1.72
<b>Unit Dimensions (HWD/in)</b>	2.5 x 9 x 3.5
<b>Unit Dimensions (HWD/cm)</b>	6.35 x 22.86 x 8.89
<b>Shipping Dimensions (HWD/in)</b>	11.5 x 7 x 3
<b>Shipping Dimensions (HWD/cm)</b>	29.21 x 17.78 x 7.62
<b>Unit weight (lbs)</b>	3.3
<b>Unit weight (kg)</b>	1.50
<b>Material of construction</b>	Metal
<b>Integrated keyhole mounting tabs</b>	Metal end caps are fitted with keyhole mounting tabs for wallmount installation
<b>Housing Color</b>	Light Gray
<b>Receptacle Color</b>	Black
<b>AC line cord color</b>	Light Gray
<b>Style</b>	Strip
<b>Outlets center to center measurement</b>	Distance between horizontal outlets = 39.45mm; Distance between vertical outlets = 39.30mm
<b>Keyhole slot center to center measurement</b>	Distance between horizontal tabs = 210.79mm; Distance between vertical tabs = 58.17mm
<b>SPECIAL FEATURES</b>	

<b>Appearance</b>	Rugged all-metal corded strip format with high quality duplex receptacles
<b>Right-Angle Plug</b>	Yes
<b>CERTIFICATIONS</b>	
<b>UL1449 3rd Edition (AC Suppression)</b>	Tested to UL1449 3rd Edition by ETL
<b>cUL / CSA (Canada)</b>	Approved for Canada by ETL
<b>Approvals</b>	Exceeds IEEE 587 category A&B specifications
<b>WARRANTY</b>	
<b>Product Warranty Period (Worldwide)</b>	Lifetime limited warranty
<b>Connected Equipment Insurance (U.S., Canada &amp; Puerto Rico)</b>	\$50,000 <a href="#">Ultimate Lifetime Insurance</a>

More information, including related products, owner's manuals, and additional technical specifications, can be found online at [www.tripplite.com/en/products/model.cfm?txtModelID=111](http://www.tripplite.com/en/products/model.cfm?txtModelID=111).

Copyright © 2013 Tripp Lite. All rights reserved. All trademarks are the sole property of their respective owners. Tripp Lite has a policy of continuous improvement. Specifications are subject to change without notice. Photos may differ slightly from final products.



## 3 PUSHBUTTON SWITCHES

### General Purpose Pushbutton Switches — AC Rated

These general purpose ac rated pushbutton switches offer a wide variety of configurations, button styles and termination types. The 7835 and 7836 light duty series are ac only pushbutton switches. They feature Slow-make/Slow-break butt type contacts with a light operating pressure that is particularly suited to instrumentation applications.

#### SPECIFICATIONS

Ratings:  
See selection table.

#### Circuits:

1PST, 1PDT, 2PDT.  
Momentary action.

#### Contact Material:

3-6A Rated  
Movable — Silver plated copper.  
Stationary — Silver plated copper.

#### 10-15A Rated

Movable — Silver plated copper with fine or coin silver contact face button.  
Stationary — Copper with fine or coin silver contact face button.

#### Terminal Types:

Screw Terminals — Brass.  
Furnished unassembled.

8448 Series  
#6-32 x 3/16" binding head screws (Cat. No. 811-2).

8410/8411 Series  
#5-40 x 3/16" (Cat. No. 811-7206).

8406/8440 Series  
#5-40 x 5/32" screws (Cat. No. 11-26).

Solder Lug — Brass silver plated.

AC RATED PUSHBUTTON SWITCHES SELECTION TABLE (BOLD FACE TYPE INDICATES ITEMS NORMALLY IN DISTRIBUTOR STOCK)

Type	Rating	Poles and Throw	Contacts	CIRCUIT NUMBER SEE PAGE 4.28	BUTTON				Typical Maximum Operating Force	Mounting or Bushing Length Dimension "A"		CATALOG NUMBER					
					Construction	Color	Button Extension Dimension "B"			mm	inches	Solder Lugs	Screw Terminals	Spade Terminals (250°)	Wire Leads ⑤		
							mm	inches									
<b>NON-ILLUMINATED</b>													<b>NON-ILLUMINATED</b>				
Flush-Mounted Light-Duty Momentary Contact	3/4A, 125V ac/dc 1/4A, 250V ac/dc	1-P.S.T. 1-P.S.T.	NC NC	A A	Nylon Nylon	Black Black	11.50	.453"	0.7 lbs. ②	—	Flush Flush	— —	8410K1 8406K1	— —	— —	— —	
							11.89	.468"									0.7 lbs. ②
Snap-In Mounted Light-Duty Momentary Contact	3/4A, 125V ac/dc 1/4A, 250V ac/dc	1-P.S.T. 1-P.S.T.	NC NO	A A	Nylon Nylon	White White	9.53	.375"	—	—	Snap-In Snap-In	— —	— —	8423K1 ① 8424K1 ①	— —	— —	
							9.53	.375"									
One Hole Mounted Light Duty Momentary Contact	3/4A, 125V ac/dc 1/4A, 250V ac/dc	1-P.S.T. 1-P.S.T.	NC NO	A A	Nylon Nylon	Black Red	6.35	.250"	1.5 lbs. ②	6.35	.250"	8411K5 —	— —	— —	8411K13 ①	— —	
							6.35	.250"									1.5 lbs. ②
	3A, 125V ac	1-P.S.T. 1-P.S.T.	NC NO	A A	Nylon Nylon	Black Black	10.31	.406"	1.5 lbs. ②	11.89	.468"	8411K8 —	8411K7 8411K12	8411K10 8411K11 ①	— —	— —	
							9.53	.375"									1.5 lbs. ②
	5A, 125V ac ①② 3A, 125V ac	1-P.S.T.	NC	NO	A	Metal	—	7.52	.296"	2.5 lbs.	11.89	.468"	8440K2	8440K3	—	—	—
								7.52	.296"								
3A, 125V ac 1A, 250V ac 1/10 Hp, 125V ac	1-P.S.T.	NC	A	Metal Nylon (Snap-On) Nylon (Snap-On)	Black Red	7.92	.312"	—	14.27	.562"	7835K11A 7835K11C	— —	— —	— —	7835K12A	— —	
						7.92	.312"										14.27
Metal Nylon (Snap-On) Nylon (Snap-On)	1-P.S.T.	NO	A	Metal Nylon (Snap-On) Nylon (Snap-On)	Black Red	7.92	.312"	—	14.27	.562"	7836K11A 7836K11C	7836K13A	— —	— —	7836K12A	— —	
						7.92	.312"										14.27
One Hole Mounted Medium-Duty Momentary Contact	15A, 125V ac 10A, 250V ac 1/3 Hp, 125-250V ac	1-P.S.T.	NO	A	Metal	—	13.49	.531"	0.9 lbs.	17.45	.687"	—	8444K3 8444K4	8444K2	—	—	
							6.35	.250"									8.71
15A, 125V ac, NO 10A, 125V ac, NC 10A, 250V ac, NO 5A, 250V ac, NC 1/2 Hp, 250V ac 1/4 Hp, 125V ac	1-P.D.T.	NO, NC	B	Metal Bakelite	— Black	13.49	.531"	2.0 lbs.	17.45	.687"	—	8434K2 8435K2	8434K1 8435K1	— —	— —	— —	
						13.49	.531"										17.45
15A, 125V ac 10A, 250V ac	2-P.S.T.	NO	C	Metal	—	6.35	.250"	—	8.71	.343"	—	8448K2 ③	8448K1 ④	—	—	—	

① Combination spade and solder lug terminal.  
 ② To change operating pressure, refer to your local Eaton Sales Representative.  
 ③ Operating pressure cannot be changed.  
 ④ UL and CSA listings not applicable.  
 ⑤ Standard length is 152.40mm (6"), stripped 15.88mm (.625").

Wire Leads — 18 gauge, 152mm (6") long, skinned 19mm (.750"). Lengths beyond 152mm (6") are additional charge.

Mounting Means:

One hole mount.

Threaded Bushing — 11.90mm (.468" dia. 32 threads /inch).

Keyway — 1.73 x 0.89mm (.068 wide x .035" deep); provides anti-rotation feature.

Keyway on 7835/7836 Series is 2.03 wide x 1.01mm deep (.080 wide x .040" deep).

Hardware supplied — One hexagon locknut (Cat. No. 15-192) and one bright nickel plated knurled facenut (Cat. No. 15-124F1). 8411/8418 Series has a bright nickel plated hexagon facenut (Cat. No. 15-966-2). All hardware is furnished unassembled.

Other mounting types are flush, nest and snap-in.

Operating Temperature Range: -17.8°C to +65.6°C (0°F to +150°F).

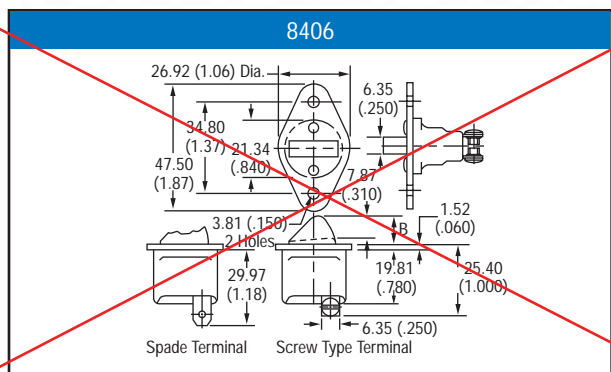
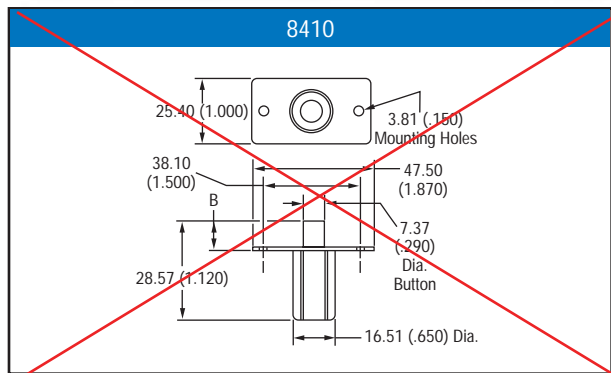
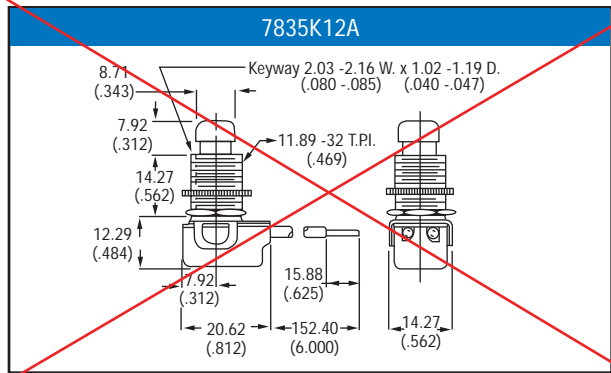
Approvals:

UL Recognized.  
CSA Certified.

• Except where noted.



**DIMENSIONS** APPROXIMATE IN MM (INCHES)



Dimensions continue on page 3.4.



8411K7



8423K1/8424K1



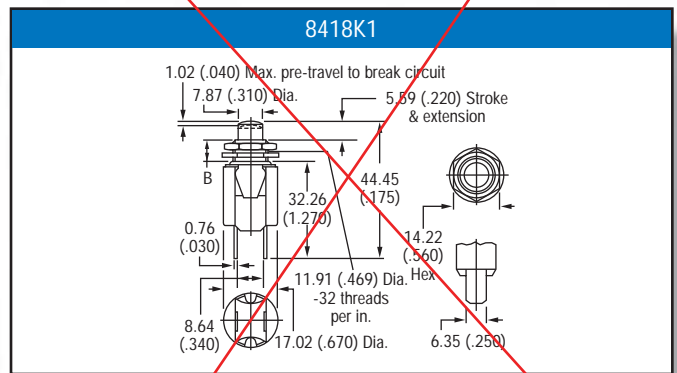
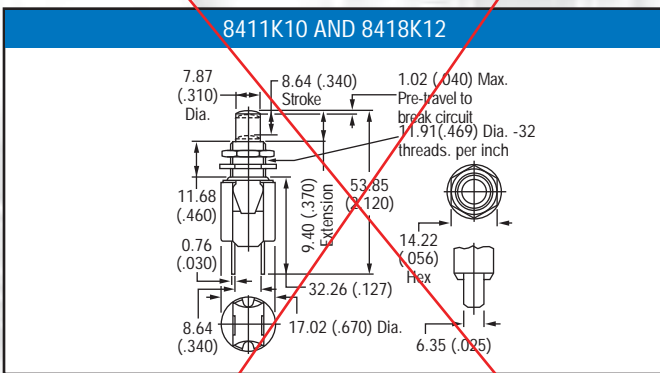
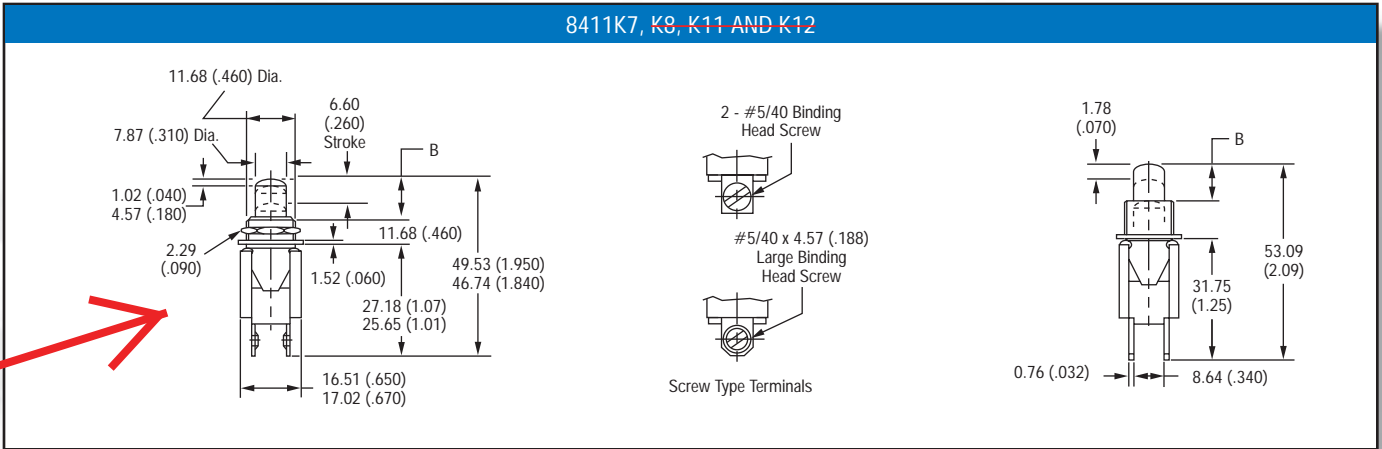
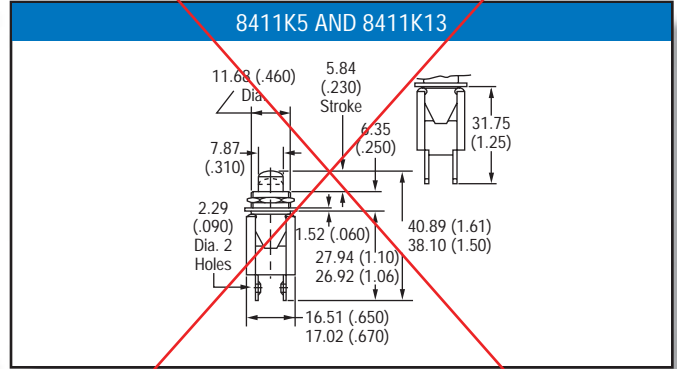
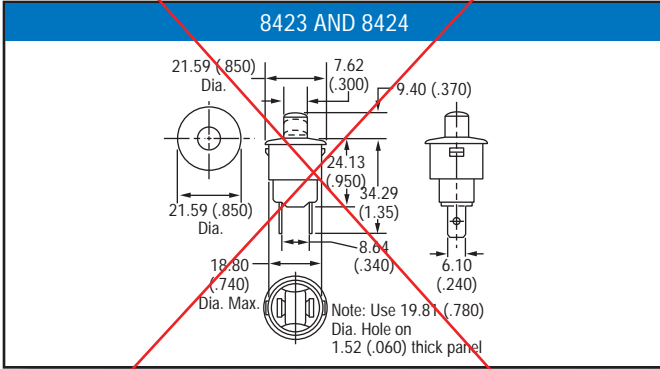
8440K3



8435K2

## General Purpose AC Rated Pushbutton Switches (continued)

DIMENSIONS APPROXIMATE IN MM (INCHES)





### Lamp Holder, Med Base

Porcelain Lamp Holder, Medium Base, 2 Terminal Screws, 660 Watts Maximum, 250 Volts, Mounts Directly to 3 1/4 or 4 Inch Ceiling Box, Top Wired

Grainger Item # 5C406

Brand LEVITON

Mfr. Model # 9875

Ship Qty. 1

Sell Qty. (Will-Call) 1

Ship Weight (lbs.) 0.6

Availability Ready to Ship

Catalog Page No. 641

Price shown may not reflect your price. Log in or register.

#### Additional Info

#### Lampholders

#### Tech Specs

**Item:** Porcelain Lamp Holder

**Type:** Medium Base

**Lamp Base:** Medium

**Watts:** 660

**Voltage:** 250

**Connection:** Screw Terminal

**Mounting:** Ceiling Box

**Color:** White

**Cord Type:** Braided

**Cord Length (Ft.):** 3

**Features:** 2 Terminal Screws

**Finish:** Porcelain

#### Notes & Restrictions

There are currently no notes or restrictions for this item.

#### MSDS

This item does not require a **Material Safety Data Sheet (MSDS)**.

#### Required Accessories

There are currently no required accessories for this item.



### Incandescent Light Bulb, A19, 40W

Incandescent Light Bulb, Lamp Type A-Line, Lamp Shape A19, Base Type Medium Screw (E26), 40 Watts, Initial Lumens 490, Max. Overall Length 4-3/7 In., Bulb Dia. 2-3/8 In., Bulb Finish Soft White, Average Life 1000 hr., Voltage 120, Lamp Designation 40A/W. Only shipped in quantities of 4.

Grainger Item # 5V609

Brand GE LIGHTING

Mfr. Model # 40A/W

Ship Qty. 4

Sell Qty. (Will-Call) 1

Ship Weight (lbs.) 0.05

Availability Ready to Ship

Catalog Page No. 583

Price shown may not reflect your price. Log in or register.

#### Additional Info

#### Type A Lamps

#### Tech Specs

**Item:** Incandescent Light Bulb

**Lamp Type:** A-Line

**Lamp Shape:** A19

**Base Type:** Medium Screw (E26)

**Watts:** 40

**Initial Lumens:** 490

**Max. Overall Length:** 4-3/7"

**Bulb Dia.:** 2-3/8"

**Bulb Finish:** Soft White

**Average Life:** 1000 hr.

**Voltage:** 120

**Lamp Designation:** 40A/W

**Primary Application:** General Purpose

#### Notes & Restrictions

Note: Operating a 130V lamp on 120V reduces light output, but extends lamp life.



This item has been restricted from sale in the following state:

CA

#### MSDS

This item does not require a **Material Safety Data Sheet (MSDS)**.

#### Required Accessories

There are currently no required accessories for this item.

# Fuseholders


For 3AG, 5 x 20mm, or 2AG Fuses

## International Shock-Safe Panel Mount Type



A complete selection of styles and options satisfy a wide variety of fuseholder design needs. Designed to eliminate the possibility of electrical shock, as defined in IEC standards 60065 and 60127. The universal fuseholder body will accept 3AG, 5 x 20mm, and 2AG fuse sizes depending on knob selected. Permits inventory reduction of bodies and provides knob interchange versatility. Anti-tease feature eliminates circuit interruption when knob is accidentally depressed. Five fuseholder types assure design flexibility. Available with two knob styles — screwdriver slot or fingertip. Drip-proof option is available on screwdriver slot knob style. Available in two terminal styles — dual-purpose for soldering or 3/16" NEMA quick connect; and 1/4" NEMA/DIN quick connect. Quick fuse size identification is provided with letters on fingertip knob and color-coded screwdriver slot knobs.

### APPROVALS:

	3AG	5 x 20mm	2AG
	20A 250V	10A 250V	10A 250V
CSA	20A 250V	10A 250V	10A 250V
VDE	10A 250V	10A 250V	—

### SPECIFICATIONS:

**Electrical:** Insulation Resistance: 10,000 megohm minimum at 500 VDC. Contact Resistance: Less than .005 ohm average at currents up to 1 ampere.

**Mounting:** Threaded styles withstand 15 in.-lb. mounting torque. Low profile and High profile panel thickness: .032" min./ .310" max. Quick mount panel thickness: .012" min./ .360" max. Rear mount panel thickness: .012" min./ .260" max.

**Molded Parts:** Body Material: Black glass-filled thermoplastic (UL 94V0).

**Knob Material:** Grey, blue or black glass-filled thermoplastic (UL94 V-0) Hex Nut Material: Black glass-filled thermoplastic.

**Knob:** Finger-Grip, Fuse Extractor type or Screwdriver Slot, Fuse Extractor type with plated copper alloy insert. Plated copper alloy contact clips. Spring loaded, locking mechanism provides an anti-tease feature and will not vibrate loose.

**Terminals:** Copper alloy. Tin-plated. Three styles available. A .187" dual purpose terminal accepts wire for soldering or a Quick-Connect receptacle. .187" terminal for NEMA Quick-Connect and .250" terminal for NEMA/DIN Quick-Connect available.

**Ambient Temperature:** -40°C to +85°C.

**Hardware:** Threaded style fuseholders are supplied with a thermoplastic hex nut unassembled. Quick mount style fuseholders are supplied with a push-on type retaining nut, black oxide finish, unassembled. A synthetic rubber "O" ring will be supplied only with the screwdriver slot knob when the drip-proof version is requested. To order with a metal internal tooth lockwasher (L) and/or neoprene panel washer (N) and/or drip-proof synthetic rubber "O" ring with Neoprene washer (NP) [Screwdriver slot knob only], add the appropriate suffix (L, N, or NP) respectively (or in combination) to the catalog number.

Example: 3453LS7LNP is a holder supplied with a lockwasher, a neoprene panel washer, and a drip-proof "O" ring in addition to the hex nut.



\* Please refer to Fuseology section for information on proper fuseholder de-rating.

# Fuseholders

For 3AG, 5 x 20mm, or 2AG Fuses

## International Shock-Safe Panel Mount Type



### ORDERING INFORMATION:

**#3453LF3H**

EXAMPLE (Complete Assembly with options): **345 3 LS 7 L N NP**  
 Series Number

Fuse Size	Style	Terminals	Options*
<b>2</b> 2AG .177" x .570"	<b>LF</b> Low Profile Body Black Fingergrasp Knob	<b>1</b> 3/16" (Rt. Angle) Dual Purpose Solder/QC	<b>L</b> Lockwasher
<b>3</b> 3AG .250" x 1.250"	<b>RF</b> Rear Mount Body Black Fingergrasp Knob	<b>2</b> 3/16" (Straight) Dual Purpose Solder/QC	<b>N</b> Neoprene Washer
<b>5</b> 5 x 20mm .197" x .787"	<b>HS</b> High Profile Body Screwdriver Slot Knob	<b>3</b> 3/16" (Rt. Angle) NEMA QC	<b>NP</b> Drip-Proof "O" Ring** with Neoprene Washer
	<b>LS</b> Low Profile Body Screwdriver Slot Knob	<b>4</b> 3/16" (Straight) NEMA QC	
	<b>QS</b> Quick Mount Body Screwdriver Slot Knob	<b>7</b> 1/4" (Rt. Angle) NEMA/DIN QC	
	Screwdriver Slot Knob 2AG — Blue Knob 3AG — Grey Knob 5 x 20mm — Black Knob	<b>8</b> 1/4" (Straight) NEMA/DIN QC	

\*Options (L, N, NP) can be ordered individually or in combination.  
 \*\*Screwdriver slot knob only.

**Note: To Order Knob Only:**

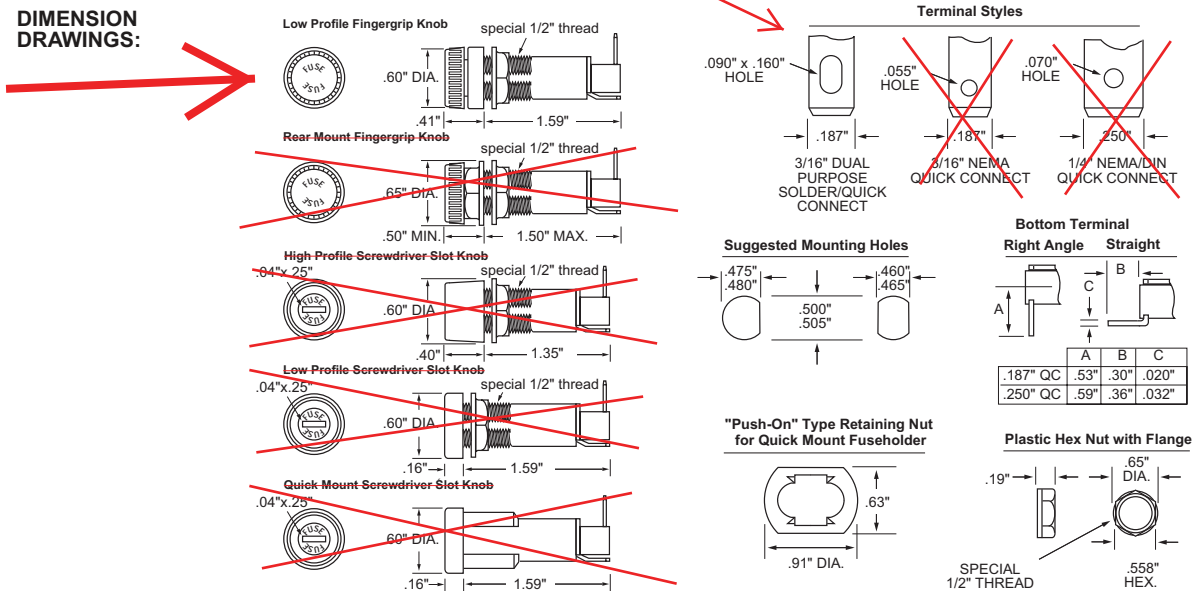
Fuse Size	Fingergrasp Knob Part Number	Screwdriver Slot Knob Part Number
2AG	3452LF1-020	3452LS1-020
3AG	3453LF1-020	3453LS1-020
5 x 20mm	3455LF1-020	3455LS1-020

**To Order Body Including Nut(s) Only:**

Terminal Style	Bottom Terminal	Low Profile Body Part Number***	High Profile Body Part Number	Rear Mount Body Part Number	Quick Mount Body Part Number
3/16" Dual Purpose	(Rt. Angle)	3453LF1-010	3453HS1-010	3453RF1-010	3453QS1-010
3/16" Dual Purpose	(Straight)	3453LF2-010	3453HS2-010	3453RF2-010	3453QS2-010
3/16" NEMA QC	(Rt. Angle)	3453LF3-010	3453HS3-010	3453RF3-010	3453QS3-010
3/16" NEMA QC	(Straight)	3453LF4-010	3453HS4-010	3453RF4-010	3453QS4-010
1/4" NEMA/DIN QC	(Rt. Angle)	3453LF7-010	3453HS7-010	3453RF7-010	3453QS7-010
1/4" NEMA/DIN QC	(Straight)	3453LF8-010	3453HS8-010	3453RF8-010	3453QS8-010

\*\*\*Low Profile Body will accept either Fingergrasp or Screwdriver Slot Knob.

**DIMENSION DRAWINGS:**



**AG Fuses**

Originally stood for "all glass." The automotive industry uses the "AG" prefix (AGC, AGW) for most glass fuses. They vary in length, diameter and amperage rating.

**Voltage Rating:** 32V AC/DC

**SFE Fuses**

Glass fuses designed to specifications set by the Society of Fuse Engineers. All are 1/4 inch in diameter, but vary in length according to the ampere rating to ensure accurate fuse replacement. Both AG and SFE fuses were designed into North American vehicles prior to 1981. Glass fuses are also used for auto accessory applications.

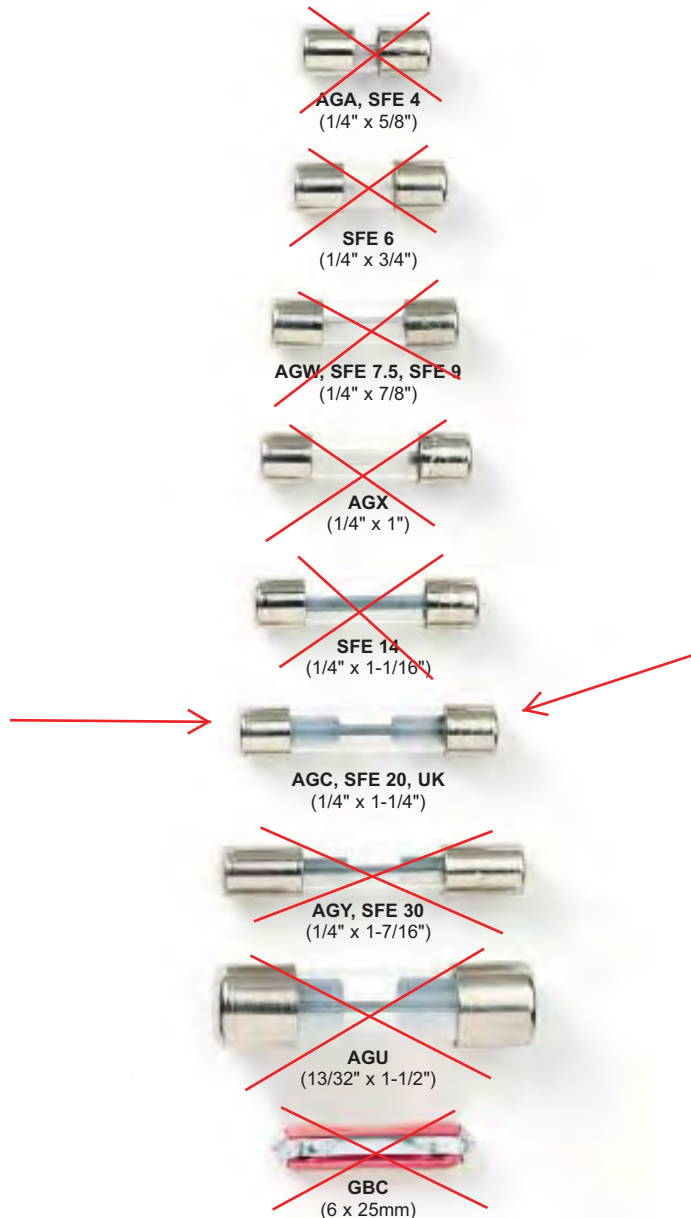
**Voltage Rating:** 32V AC/DC

**GBC Fuses**

A ceramic type, torpedo shaped fuse that can be currently found in many European cars. Consisting of a heat resistant body, the fuse element stretches over the exterior of the body from end to end. The body varies in color to assist in proper replacement.

**Voltage Rating:** 32V AC/DC

**Glass/Ceramic Fuses**

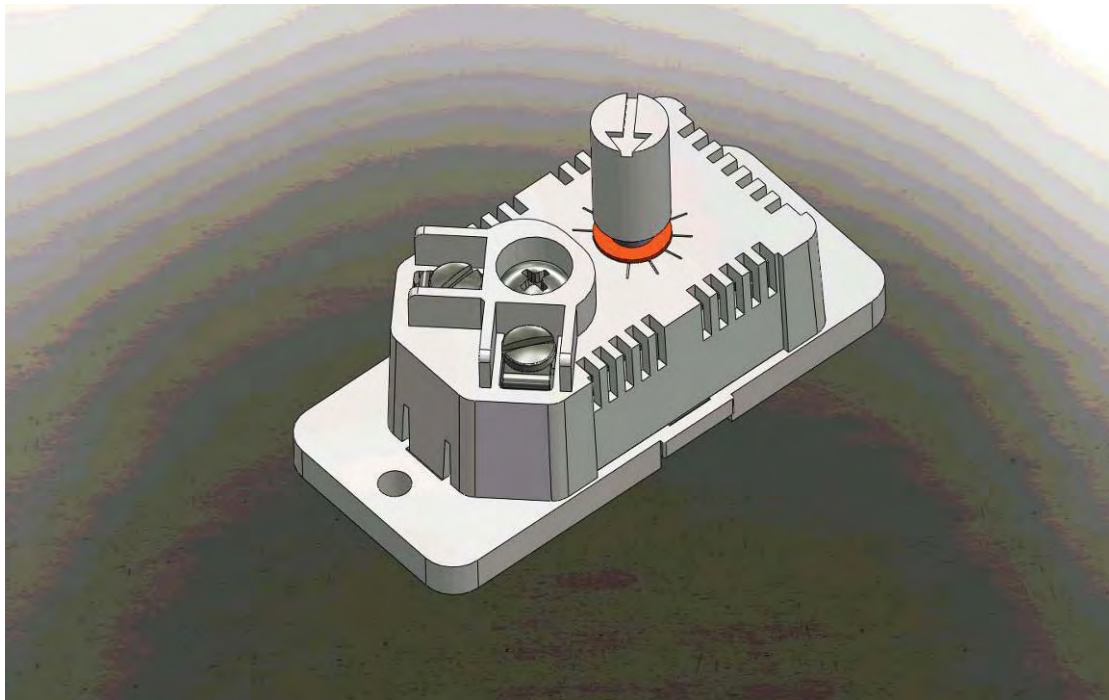


US & Canadian Boxed No.	US Carded No.	Canadian Carded No.
<b>AGA (1AG)</b>		
<del>AGA-1</del>	<del>AGA-1 BP</del>	<del>AGA-1 CABP</del>
<del>AGA-1.5</del>	<del>AGA-1.5 BP</del>	<del>AGA-1.5 CABP</del>
<del>AGA-2</del>	<del>AGA-2 BP</del>	<del>AGA-2 CABP</del>
<del>AGA-2.5</del>	<del>AGA-2.5 BP</del>	<del>AGA-2.5 CABP</del>
<del>AGA-3</del>	<del>AGA-3 BP</del>	<del>AGA-3 CABP</del>
<del>AGA-5</del>	<del>AGA-5 BP</del>	<del>AGA-5 CABP</del>
<del>AGA-6</del>	<del>AGA-6 BP</del>	<del>AGA-6 CABP</del>
<del>AGA-7.5</del>	<del>AGA-7.5 BP</del>	<del>AGA-7.5 CABP</del>
<del>AGA-10</del>	<del>AGA-10 BP</del>	<del>AGA-10 CABP</del>
<del>AGA-15</del>	<del>AGA-15 BP</del>	<del>AGA-15 CABP</del>
<del>AGA-20</del>	<del>AGA-20 BP</del>	<del>AGA-20 CABP</del>
<del>AGA-25</del>	<del>AGA-25 BP</del>	<del>AGA-25 CABP</del>
<del>AGA-30</del>	<del>AGA-30 BP</del>	<del>AGA-30 CABP</del>
<b>AGC (3AG)</b>		
<del>AGC-.5</del>	<del>AGC-.5 BP</del>	<del>AGC-.5 CABP</del>
<del>AGC-1</del>	<del>AGC-1 BP</del>	<del>AGC-1 CABP</del>
<del>AGC-1.5</del>	<del>AGC-1.5 BP</del>	<del>AGC-1.5 CABP</del>
<del>AGC-2</del>	<del>AGC-2 BP</del>	<del>AGC-2 CABP</del>
<del>AGC-2.5</del>	<del>AGC-2.5 BP</del>	<del>AGC-2.5 CABP</del>
<del>AGC-3</del>	<del>AGC-3 BP</del>	<del>AGC-3 CABP</del>
<del>AGC-4</del>	<del>AGC-4 BP</del>	<del>AGC-4 CABP</del>
<del>AGC-5</del>	<del>AGC-5 BP</del>	<del>AGC-5 CABP</del>
<del>AGC-6</del>	<del>AGC-6 BP</del>	<del>AGC-6 CABP</del>
<del>AGC-7.5</del>	<del>AGC-7.5 BP</del>	<del>AGC-7.5 CABP</del>
<del>AGC-8</del>	<del>AGC-8 BP</del>	<del>AGC-8 CABP</del>
<del>AGC-10</del>	<del>AGC-10 BP</del>	<del>AGC-10 CABP</del>
<del>AGC-15</del>	<del>AGC-15 BP</del>	<del>AGC-15 CABP</del>
<del>AGC-20</del>	<del>AGC-20 BP</del>	<del>AGC-20 CABP</del>
<del>AGC-25</del>	<del>AGC-25 BP</del>	<del>AGC-25 CABP</del>
<del>AGC-30</del>	<del>AGC-30 BP</del>	<del>AGC-30 CABP</del>
<del>AGC-35</del>	<del>AGC-35 BP</del>	<del>AGC-35 CABP</del>
<b>AGU (5AG)</b>		
<del>AGU-1</del>	N/A	N/A
<del>AGU-2</del>	N/A	N/A
<del>AGU-3</del>	N/A	N/A
<del>AGU-4</del>	N/A	N/A
<del>AGU-5</del>	N/A	N/A
<del>AGU-10</del>	N/A	N/A
<del>AGU-15</del>	N/A	N/A
<del>AGU-20</del>	N/A	N/A
<del>AGU-25</del>	N/A	N/A
<del>AGU-30</del>	N/A	N/A
<del>AGU-35</del>	N/A	N/A
<del>AGU-40</del>	N/A	N/A
<del>AGU-50</del>	N/A	N/A
<del>AGU-60</del>	N/A	N/A
<b>AGW (7AG)</b>		
<del>AGW-1</del>	<del>AGW-1 BP</del>	<del>AGW-1 CABP</del>
<del>AGW-1.5</del>	<del>AGW-1.5 BP</del>	<del>AGW-1.5 CABP</del>
<del>AGW-2.5</del>	<del>AGW-2.5 BP</del>	<del>AGW-2.5 CABP</del>
<del>AGW-3</del>	<del>AGW-3 BP</del>	<del>AGW-3 CABP</del>
<del>AGW-4</del>	<del>AGW-4 BP</del>	<del>AGW-4 CABP</del>
<del>AGW-5</del>	<del>AGW-5 BP</del>	<del>AGW-5 CABP</del>
<del>AGW-6</del>	<del>AGW-6 BP</del>	<del>AGW-6 CABP</del>
<del>AGW-15</del>	<del>AGW-15 BP</del>	<del>AGW-15 CABP</del>
<del>AGW-20</del>	<del>AGW-20 BP</del>	<del>AGW-20 CABP</del>
<del>AGW-30</del>	<del>AGW-30 BP</del>	<del>AGW-30 CABP</del>
<b>AGX (8AG)</b>		
<del>AGX-2</del>	<del>AGX-2 BP</del>	<del>AGX-2 CABP</del>
<del>AGX-3</del>	<del>AGX-3 BP</del>	<del>AGX-3 CABP</del>
<del>AGX-20</del>	<del>AGX-20 BP</del>	<del>AGX-20 CABP</del>
<del>AGX-25</del>	<del>AGX-25 BP</del>	<del>AGX-25 CABP</del>
<del>AGX-30</del>	<del>AGX-30 BP</del>	<del>AGX-30 CABP</del>
<b>AGY (9AG)</b>		
<del>AGY-50</del>	N/A	N/A
<b>GBC (Ceramic)</b>		
<del>GBC-5 (Yellow)</del>	<del>GBC-5 BP</del>	<del>GBC-5 CABP</del>
<del>GBC-8 (White)</del>	<del>GBC-8 BP</del>	<del>GBC-8 CABP</del>
<del>GBC-16 (Red)</del>	<del>GBC-16 BP</del>	<del>GBC-16 CABP</del>
<del>GBC-25 (Blue)</del>	<del>GBC-25 BP</del>	<del>GBC-25 CABP</del>
<b>SFE</b>		
<del>SFE-4</del>	<del>SFE-4 BP</del>	<del>SFE-4 CABP</del>
<del>SFE-6</del>	<del>SFE-6 BP</del>	<del>SFE-6 CABP</del>
<del>SFE-7.5</del>	<del>SFE-7.5 BP</del>	<del>SFE-7.5 CABP</del>
<del>SFE-9</del>	<del>SFE-9 BP</del>	<del>SFE-9 CABP</del>
<del>SFE-14</del>	<del>SFE-14 BP</del>	<del>SFE-14 CABP</del>
<del>SFE-20</del>	<del>SFE-20 BP</del>	<del>SFE-20 CABP</del>
<del>SFE-30</del>	<del>SFE-30 BP</del>	<del>SFE-30 CABP</del>
<b>UK</b>		
<del>UK-35</del>	<del>UK-35 BP</del>	<del>UK-35 CABP</del>
<del>UK-50</del>	<del>UK-50 BP</del>	<del>UK-50 CABP</del>



# TEM-STAT

## TEMPERATURE CONTROL



### Ordering Information

Catalog Number	Dimensions (L x W x H)	Contact Type	Temperature Range	Max. Voltage Rating
TS-15-A	3.19" x 1.48" x 1.89"	Normally open/ close on rise	80° to 170° F	240 VAC

- Priced, sold and packaged in quantities of one
- Coming Soon



**BUD INDUSTRIES, INC.** • 4605 E. 355<sup>th</sup> Street •  
Willoughby, Ohio 44094 • (440) 946-3200 • Fax (440) 951-4015  
**E-MAIL:** [saleseast@budind.com](mailto:saleseast@budind.com) • **WEB SITE:** [www.budind.com](http://www.budind.com)  
**BUD WEST** • 10000 N 31<sup>st</sup> Ave. Suite D-401 • Phoenix, Arizona  
85051 • (602) 870-8377 • Fax (602) 870-8477

## Tradename

- Tem-Stat Temperature Control

## Benefits and Features

- Reliable and long lasting bi-metal sensing element.
- UL 94-5VA, Black plastic housing
- UL, CSA listing - pending
- Mounts inside of enclosures or cabinets. Mounting screws are not included.
- Deeply recessed screw-on terminals prevent accidental contact and allow multiple devices to be controlled with one thermostat.
- Recommended terminal size is #6 ring or spade. Two #6 terminal screws are included.

## Applications

- Prevention of shut-downs caused by over-heating of electronic or electrical equipment in enclosures.

## Competition and Competitive Advantages

Manufacturer	Part Number
Hammond	SKT011419NO
Rittal	SK3110.000
McLean	TH100
Great Lakes	FTC101

## Related Products

- Cabinet Racks
- Fans
- Fan Trays

## Key Customer Contacts

- Design Engineers
- Installation Designers/Managers
- Manufacturing Engineers

## Questions to Ask

- Who specifies your enclosures?
- Does your equipment require additional cooling?

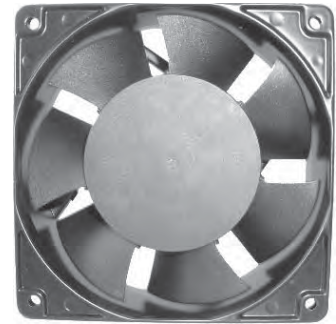
## Technical Data

<b>Switching Difference (hysteresis)</b>	<b>10°F ± 5°F (6°C ± 3K)</b>
<b>Max. Tolerance</b>	<b>±8°F (4K)</b>
<b>Service Life</b>	<b>100,000 cycles, 120 VAC 30,000 cycles, 240 VAC</b>
<b>Switching Capacity (max. load)</b>	<b>15A resistive at 120 VAC 10A resistive at 240 VAC</b>
<b>Connection</b>	<b>2-pole terminal, #6 ring or spade. Use #6 pan head screws only (provided).</b>
<b>Weight</b>	<b>2.1 oz (59.5g)</b>
<b>Operating temperature</b>	<b>-4 to 250°F (-20 to 121°C)</b>
<b>Storage temperature</b>	<b>-49 to 250°F (-45 to 121°C)</b>
<b>Protection Type</b>	<b>IP30</b>
<b>Scale on Housing</b>	<b>80 to 170°F</b>



**BUD INDUSTRIES, INC.** • 4605 E. 355<sup>th</sup> Street •  
Willoughby, Ohio 44094 • (440) 946-3200 • Fax (440) 951-4015  
**E-MAIL:** saleseast@budind.com • **WEB SITE:** www.budind.com  
**BUD WEST** • 10000 N 31<sup>st</sup> Ave. Suite D-401 • Phoenix, Arizona  
85051 • (602) 870-8377 • Fax (602) 870-8477

- Housing: Die-Cast Aluminum, Painted Black
- Blade: Thermoplastic UL 94V-0 P.B.T.
- Insulation Resistance: 100MΩ, 500VDC/min between bare wire and frame
- Dielectric Strength: 1500VAC for one minutue
- Operation Temperature: -10°C~70°C (Humidity 35%-85%RH)
- Storage Temperature: -40°C~85°C (Humidity 35%-85%RH)
- Motor Protection: Impedance Protected
- Weight: 500 g



**Specification :**

Model Number	Bearing Availability	Rated Voltage (VAC)	Frequency (Hz)	Rated Current (mA)	Power (W)	Speed (RPM)	Air Flow (CFM)	Static Pressure (mm-H2O)	Noise (dBA)
FA1238B11T7-97	2Ball or Sleeve	115	50/60	280/230	22/18	2,500/2,600	104.5/109.6	7.6/9.1	47.3/51.2
FA1238B22T7-97		230	50/60	460/430	24/20	2,400/2,500	104.5/109.6	7.6/9.1	47.3/51.2

• For Wire lead version, change "T" in the model number to "W".  
 • For Sleeve Bearing version, change "B" in the model number to "S".  
 Specifications are subject to change without notice

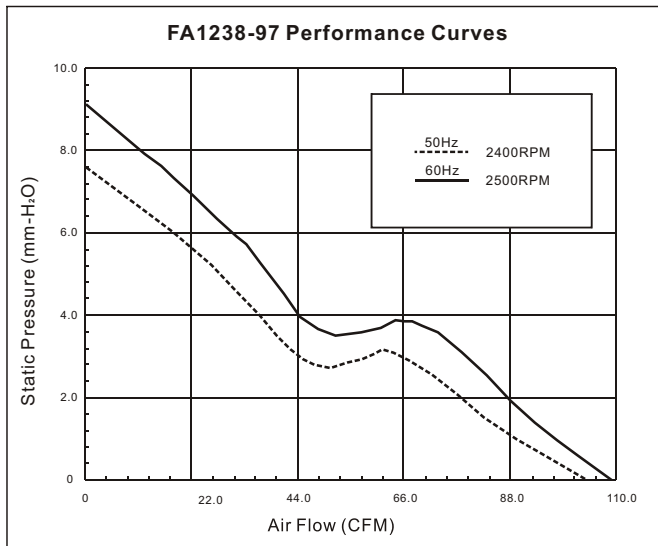


**Accessories :**

Fans are available with a wide range of accessories

Part Type	Wire Form Guard	Plastic Guard	Plastic Filter	Aluminum Filter	Power Cord
Part Number	FGW-120	FGP-120	FPF-120	FFA-120	Any Configuration

**Characteristic Curves :**



**Out line Drawing :**

