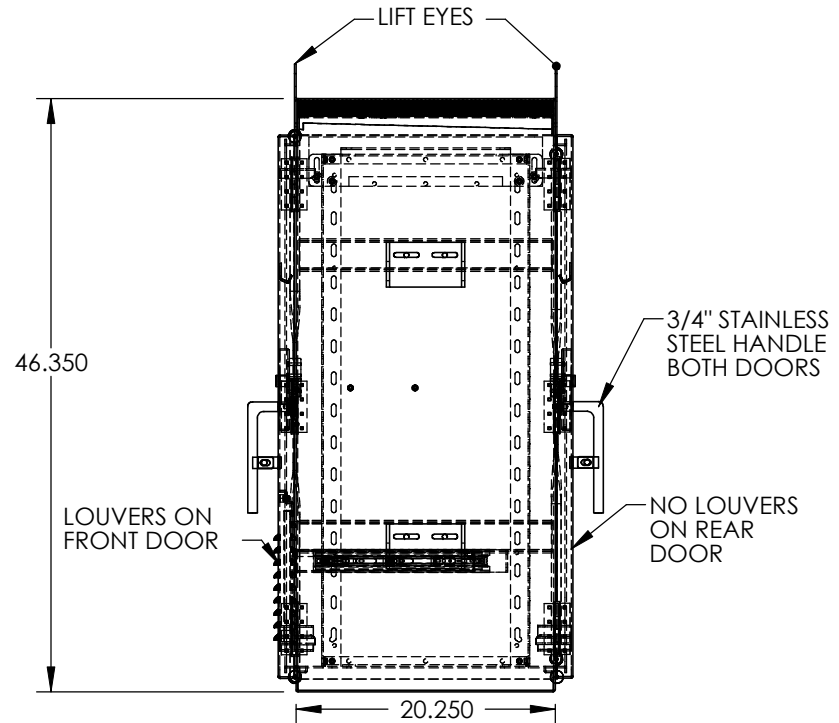
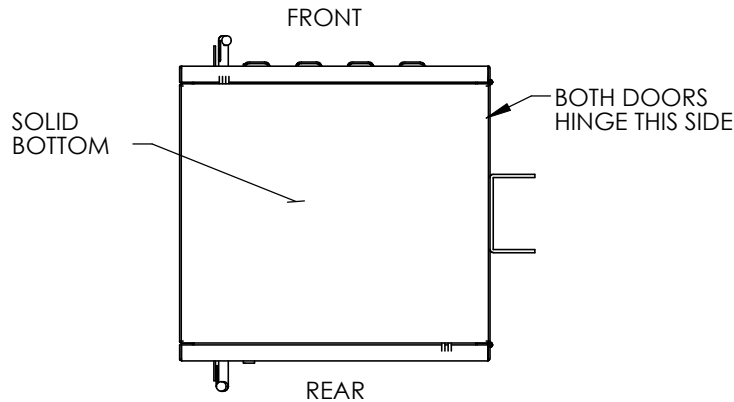


FRONT VIEW



RIGHT SIDE VIEW



BOTTOM VIEW

1. CABINET CONSTRUCTED FROM .125" 5052-H-32 ALUMINUM AND IS POLE MOUNTED.
2. BOTH DOORS HAVE THREE POINT LATCHING W/NYLON ROLLERS, A TWO POSITION DOOR STOP, A 3/4" DIA. STAINLESS STEEL HANDLE, THREE STAINLESS STEEL HINGES PER DOOR, DOCUMENT POUCH BRACKETS, CORBIN NO 2 MAIN DOOR LOCKS KEYED TO 15481RS W/2 KEYS EACH DOOR, AND NEOPRENE GASKET ALL AROUND.
3. FRONT DOOR HAS LOUVERS WITH A 10" X 16" METAL AIR FILTER.
4. REAR DOOR HAS A DOCUMENT POUCH.
5. FRONT DOOR IS HINGED ON THE RIGHT (AS VIEWED FROM FRONT OF CABINET) AND REAR DOOR IS HINGED ON LEFT (AS VIEWED FROM REAR OF CABINET).
6. CABINET HAS (2) LIFT EYES (1) 19" EIA RACK, AND (1) RACK MOUNTED PULL OUT DRAWER LOCATED 9" UP FROM BOTTOM OF RACK.
7. CABINET HAS POLE MOUNT STIFFENERS, A SET OF TWO POLE MOUNT BRACKETS, A SINGLE 4" FAN PLATE, AND FRONT AND REAR DOOR SWITCH BRACKETS.
8. ALL HARDWARE IS STAINLESS STEEL.



Southern Manufacturing

501 Herndon Ave
Orlando, Fl. 32803
ph: 407-894-8851
fx: 407-894-5373

MATERIAL: 5052H-32 ALUMINUM .125"

FINISH:

NAME

DATE

DRAWN By:

LAB

9/10/2009

CHECKED:

MFG APPR:

Cust APPR:

**MISSISSIPPI D.O.T.
TYPE B CABINET**

P/N: 336S-MISSISSIPPI-SUBMITTAL

46 X 20 X 24 336S CABINET

Scale: 1:15

Sheet 1 of 1

Rev: 0

SIZE **A**

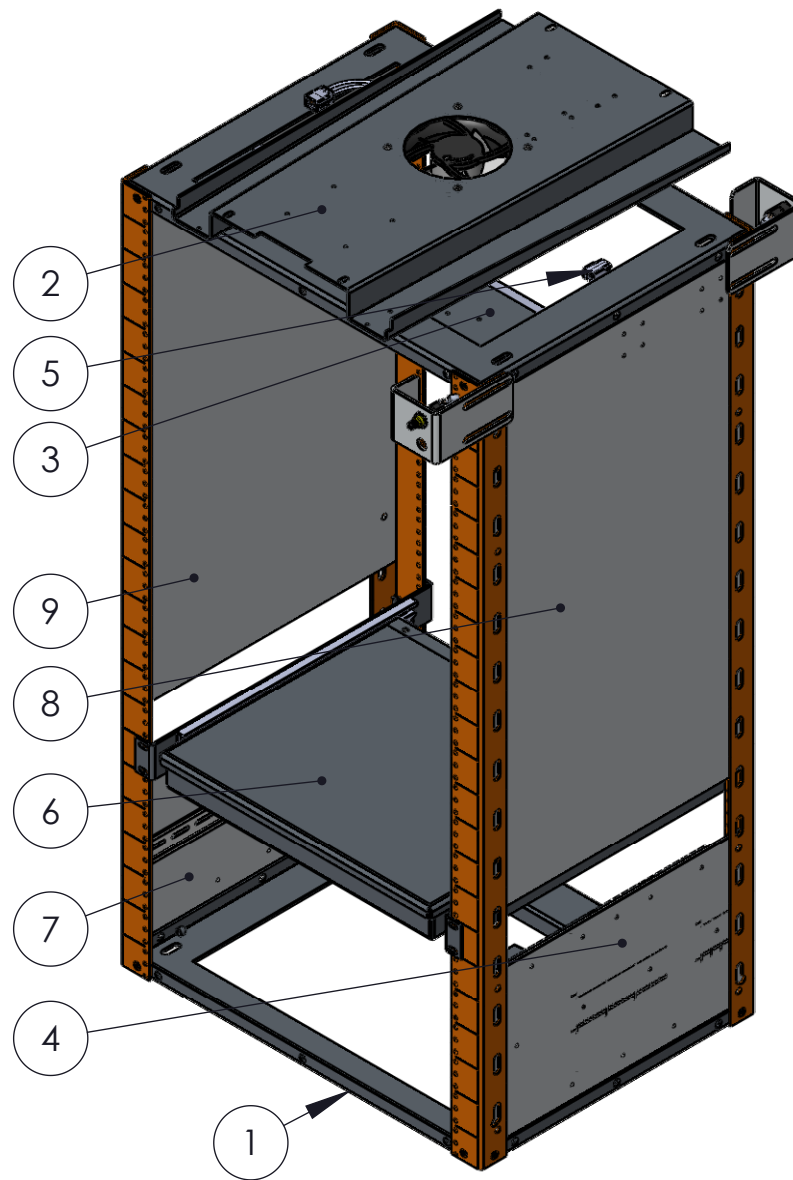
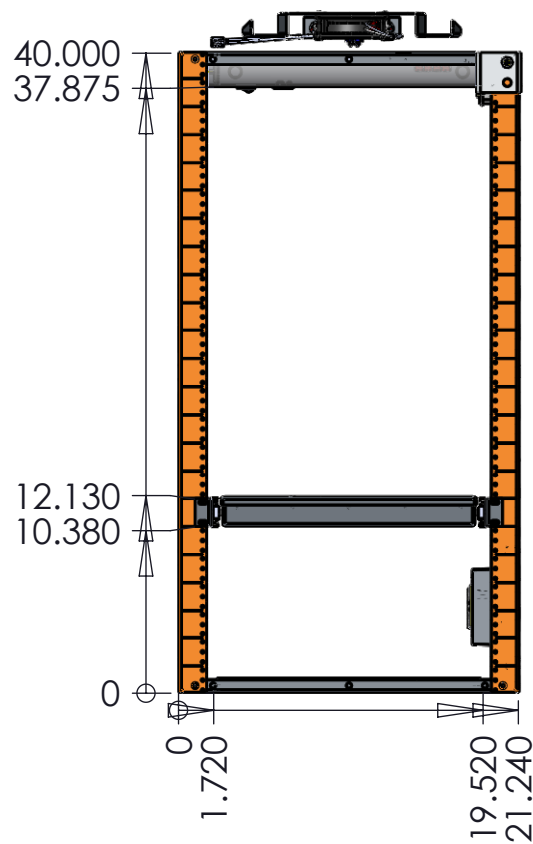
PROPRIETARY AND CONFIDENTIAL

The information contained in this drawing is the sole property of Southern Manufacturing. Any reproduction in part or as a whole without the written permission of Southern Manufacturing is prohibited.

**SOUTHERN MANUFACTURING
MISSISSIPPI D.O.T. TYPE B CABINET
POLE MOUNT CABINET SPECIFICATONS
SPECIAL PROVISIONS NO. 907-637-2**

1. Cabinet (46"H. x 24"W x 20"D.) type 336S is fabricated from .125" thk. alum, 5052-H32. Cabinet finish: unpainted, mill finish
2. Cabinet constructed to NEMA 3R standards.
3. Cabinet is pole mount with a solid bottom.
4. Front door is hinged on right hand side (as viewed from front), and rear door is hinged on left hand side (as viewed from rear).
5. Cabinets are supplied with internal stiffener channels for pole mounting, located on both right and left hand (internal) sidewalls. Stiffener channels are prepunched with Southern's standard pole mount hole pattern, standard cabinet body is not prepunched (optional prepunching is available). Aluminum pole mounting brackets are included, either installed or shipped loose with hardware.
6. #2 Corbin locks for each door, with two keys.
7. Padlockable 3/4" dia. stainless steel door handles, each door.
8. Three point door latching with nylon rollers for top and bottom strikers, each door.
9. Two position door stop rod (90° & 120°) each door.
10. Three stainless steel hinges per door.
11. Louvers and washable, metal air filter 10" x 16" (with metal, louvered, filter cover) provided in front door only.
12. Neoprene door gaskets.
13. Screened vented top.
14. Single 105 CFM, 115 VAC fan, with thermostat, mounted on fan plenum plate, supplied with fuses & fuseholders for fan & light.
15. EIA 19" rack. Frame size, 21.25" W. x 16.25" D. x 40.25" H. (21 R.U.)
16. Stainless steel hardware.
17. Two document brackets are provided, front & rear doors, with (1) plastic document pouch (mounted on rear door), supplied with wiring documentation.
18. Two removable, door switch brackets (mounted to EAI rack frame, front & rear), with door switches for cabinet light.
19. One, rack mounted storage drawer with telescoping drawer guides to allow full extension from the rack frame, is provided. Drawer has a hinged lid to allow access to storage space, lid has non-slip plastic laminate surface. Drawer dimensions, approx., 1.75" H. x 16" W. x 14" D.
20. (1) lower right side mounted (silkscreened) power panel. Power panel supplied with & wired for DIN rail mounted circuit breakers, terminal blocks, power surge suppressor & one GFCI receptacle affixed with 300 watt max labels.
21. (1) lower left side mounted panel, provided with a 12" DIN rail strip.
22. (1) upper right side mounted (silkscreened) support panel, provided with two 15 amp duplex receptacles affixed with 75 watt max labels.
23. (1) upper left side mounted panel (blank).
24. Lower right power panel, lower left din rail panel, upper right panel, & upper left panel are all fabricated from .125" thk. aluminum.
25. Cabinet is equipped with and wired for:
 - a. (1) 4", 115 CFM fan
 - b. (1) fan thermostat
 - c. (1) 1 A. fuse & fuse holder for fans
 - d. (1) 3A. fuse & fuse holder for light
 - e. (1) 15 watt, fluorescent cabinet light, mounted in top/front side of rack
 - f. front & rear door switches
 - g. (2) r/c networks, for fan & light

ITEM NO.	PART NUMBER	DESCRIPTION	Qty
1	Assy 336S RACK	Assembly, Equipment Rack, EIA 19, 336s, 40", 21u, GaDOT Configured	1
2	Assy FPA-336 S105CFM	Assembly, Fan Plate, Single 112 CFM BB Fan	1
3	Assy Lamp 15w	Lamp Assy, American Florescent 15w	1
4	Assy PP MsDOT Typ B RSM	Assembly, Power Panel, Lower Right	1
5	Assy Rack Harness 15w	Rack Harness 15w Lamp	1
6	Assy Sliding Drawer 336, GADOT	Assembly, Sliding Drawer, Rack Mounted, 1u	1
7	Assy SP MsGOT Type B	Assembly, Lower Support Panel	1
8	Assy USP Rt MsDOT Type B	Assembly, Support Panel, Rt side	1
9	CA-AL-USP-MsDOT-TypeB-1	Panel, Support, Upper	1



SOUTHERN
Manufacturing
 501 Herndon Ave
 Orlando, Fl. 32803 407-894-8851

MATERIAL: in
 FINISH:

NAME	DATE
DRAWN By: GWM	2009-09-17 09:05:19 AM
CHECKED:	
MFG APPR:	
Cust APPR:	

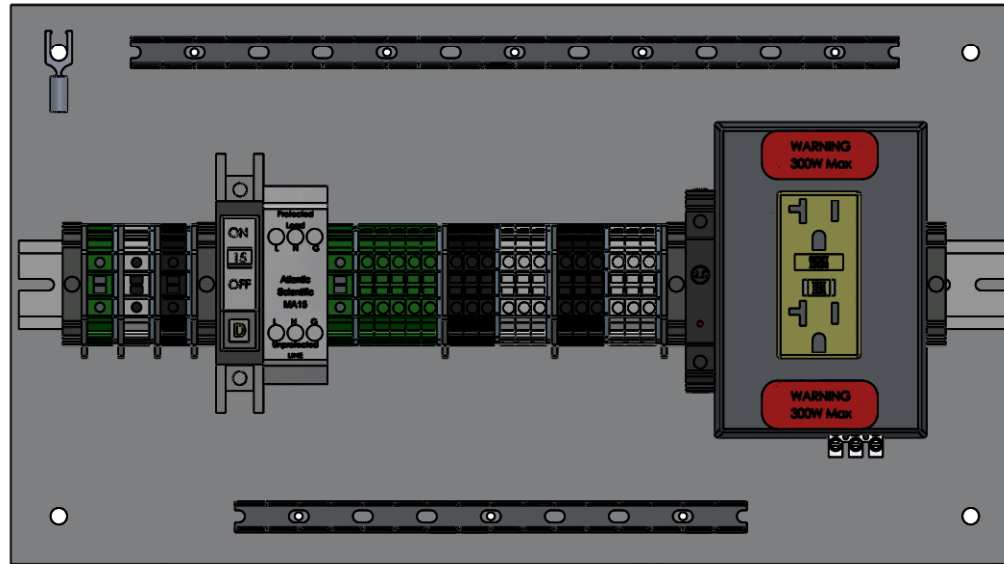
P/N: Assy 336s Rack MsDOT Type B
 Assy: Assy 336s Rack MsDOT Type B
 Sheet1
 Mississippi Type B 336s Cabinet Internals

Scale: 1:8
 Sheet 1 of 6

Rev: 1
 SIZE **A**

PROPRIETARY AND CONFIDENTIAL

The information contained in this drawing is the sole property of Southern Manufacturing. Any reproduction in part or as a whole without the written permission of Southern Manufacturing is prohibited.



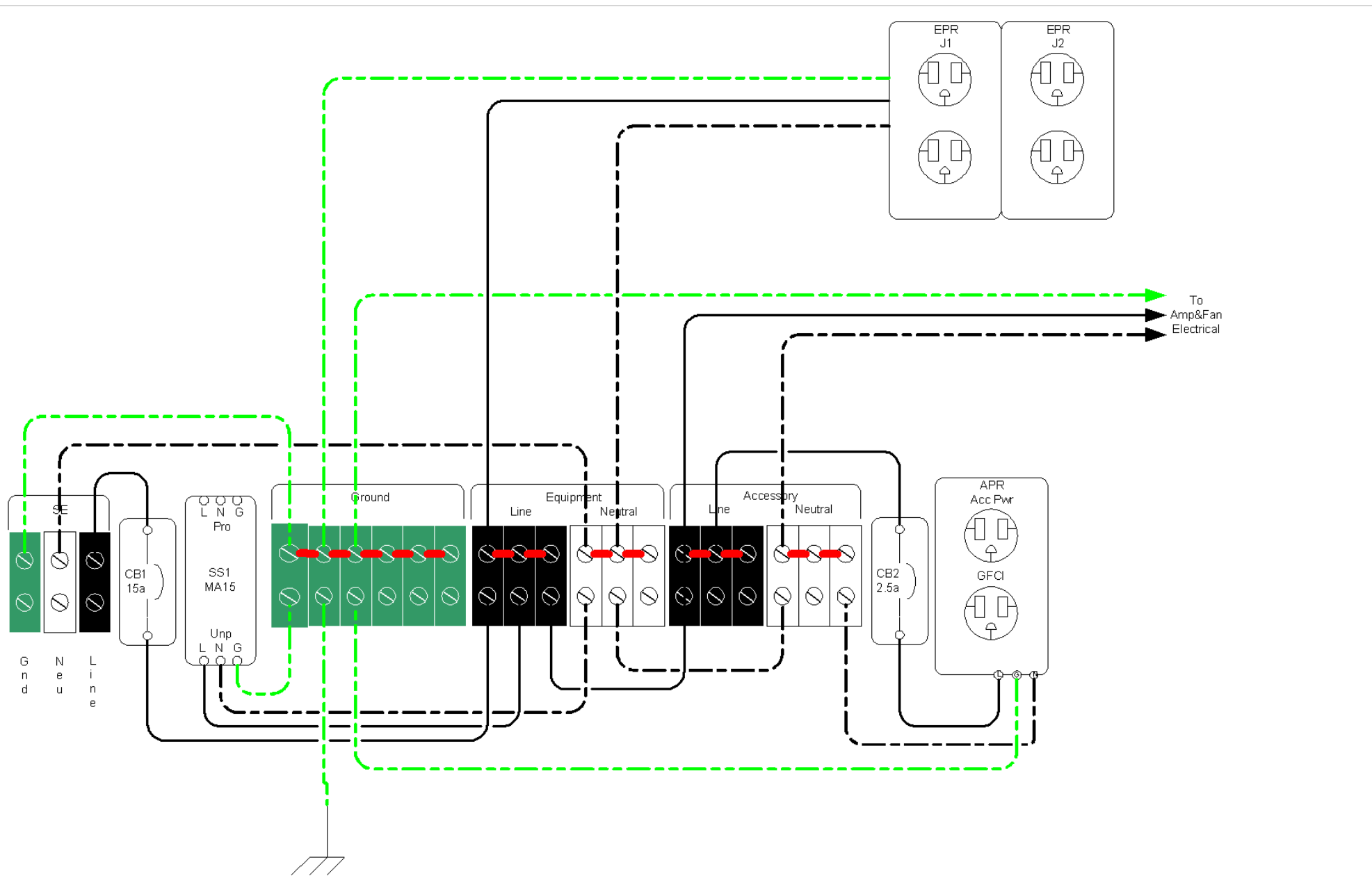
ITEM NO.	PART NUMBER	Syspro Number	DESCRIPTION	Qty
1	Din Rail 6X285x15.5	DIN-MTG-TRACK 35MM	Din Rail, 35mm, Cut to Length15.5"	1
2	Allen Bradley 1492EAJ35	TERMBLOCK-AB 1492EAJ35	End Anchor, Din Rail	4
3	Phoenix 3046317	TERMBLOCK-PHOENIX UT10WHUNI	Contact Block, UT10, White, 1000v, 76a, 6-20 awg	1
4	Phoenix 3046320	TERMBLOCK-PHOENIX UT10BK	Contact Block, UT10, Black, 1000v, 76a, 6-20 awg	1
5	Phoenix 3046322	TERMBLOCK-PHOENIX UT10GN	Contact Block, UT10, Green, 1000v, 76a, 6-20 awg	2
6	Phoenix 3047167	TERMBLOCK-PHOENIX ATP-UT PRTN	Partition ATP-UT	7
7	Phoenix 3047028	TERMBLOCK-PHOENIX D-UT	Cover Plate UT2.5/10	9
8	Phoenix 3045156	TERMBLOCK-PHOENIX UT4GNUNI	Contact Block, UT4, Green, 1000v, 32a, 10-26 awg	5
9	Phoenix 3045130	TERMBLOCK-PHOENIX UT4WHUNI	Contact Block, UT4, White, 1000v, 32a, 10-26 awg	6
10	Phoenix 3045143	TERMBLOCK-PHOENIX UT4BK	Contact Block, UT4, Black, 1000v, 32a, 10-26 awg	6
11	Hubbell DRUBGF115	RECEPTACLE-GFCI-DIN-15A	Recepticle, GFCI, Din Mounted	1
12	SquareD Qou115	CIRCUIT BREAKER-15A	Circuit Breaker, 115v, 15a, Single Pole, Square D	1
13	Weidmeuller 9101603500	CIRCUIT BREAKER-2.5A-DIN	Circuit Breaker, 2.5A, 1 Pole, Weidmeuller	1
14	Atlantic Scientific 22035	SURGESUPPRESSOR-RFI-22035	Surge Spressor, MA15, 120v, 47-63 Hz AC / 140v DC, 18 kA, 15a series wired.	1
15	Label Warning 300W		Label, Warning, "300W" Make From TZ-441	2
16	IBOCO7578K71x12	WIREDUCT05000625	1/2x5/8x12	1
17	IBOCO7578K71x8	WIREDUCT05000625	1/2x5/8x8	1
18	CA-AI-LSP-MsDOT TypeB-1		Panel, Lower Side Ms DOT	1
19	Molex 19099-0042	Production Supply	Terminal Lug, Snap Fork, Yellow (10-12 Awg), 1/4"	1




DRAWN By:	NAME	DATE	P/N: Assy PP MsDOT Typ B RSM	
	CHECKED:	2009-09-17 09:05:19 AM	Assy: Assy 336s Rack MsDOT Type B	
MATERIAL: in	MFG APPR:		Sheet2	Rev:
FINISH:	Cust APPR:		Assembly, Power Panel, Lower Right	
			Scale: 1:3	Sheet 2 of 6
				SIZE A

PROPRIETARY AND CONFIDENTIAL

The information contained in this drawing is the sole property of Southern Manufacturing. Any reproduction in part or as a whole without the written permission of Southern Manufacturing is prohibited.



PROPRIETARY AND CONFIDENTIAL
 The information contained in this drawing is the sole property of Southern Manufacturing. Any reproduction in part or as a whole without the written permission of Southern Manufacturing is prohibited.

 Southern Manufacturing 501 Herndon Ave Orlando, Fl. 32803 407-894-8851	NAME	DATE	Ass'y: Assy 336s Rack MsDOT Type B	
	DRAWN By:	2009-09-17 09:05:19 AM	P/N:	
MATERIAL: in	CHECKED:	MFG APPR:	Sheet3	
FINISH:	Cust APPR:	Scale: 1:3		Rev:
		Sheet 3 of 6		SIZE A

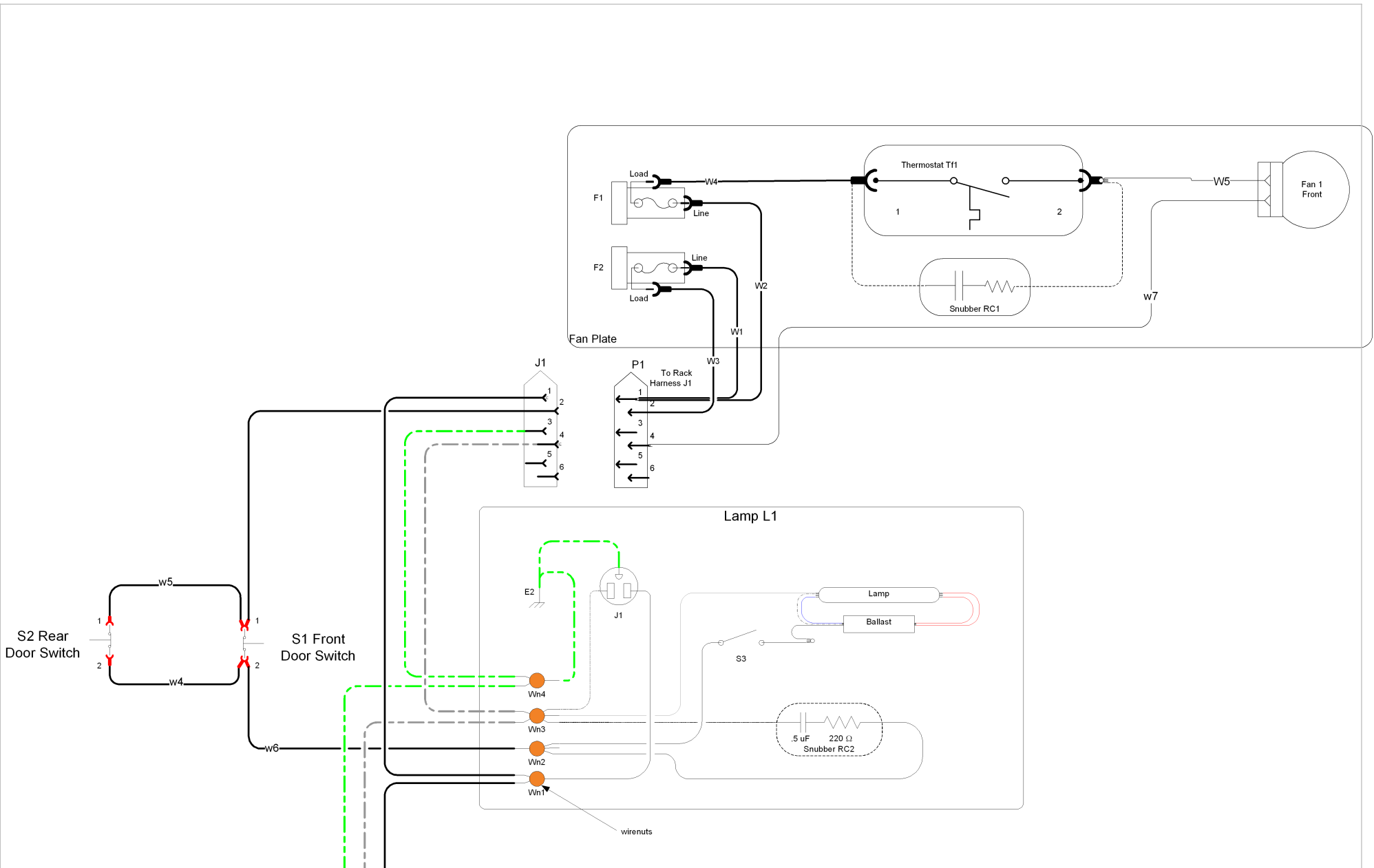
5

4

3

2

1



To Power Panel Ground
 To Power Panel Neutral
 To Power Panel Accessory Line

PROPRIETARY AND CONFIDENTIAL

The information contained in this drawing is the sole property of Southern Manufacturing. Any reproduction in part or as a whole without the written permission of Southern Manufacturing is prohibited.

		Southern Manufacturing 501 Herndon Ave Orlando, FL 32803 407-894-8851		Assy: Ass'y 336s Rack MsDOT Type B	
				P/N:	
DRAWN By:		NAME		DATE	
CHECKED:				2009-09-17 09:05:19 AM	
MATERIAL: in		MFG APPR:		Sheet4	
FINISH:		Cust APPR:		Rev:	
				Scale: 1:3	
				Sheet 4 of 6	
				SIZE A	

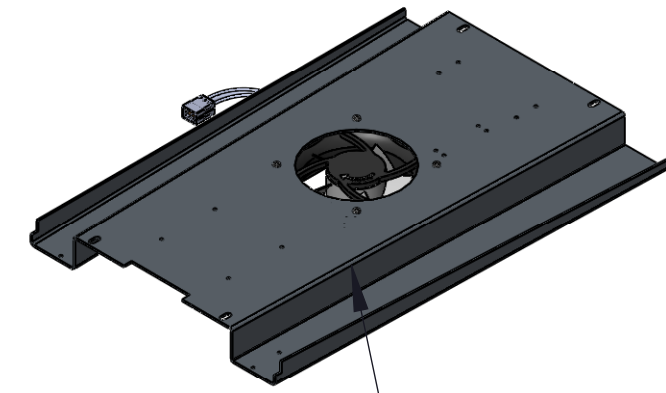
5

4

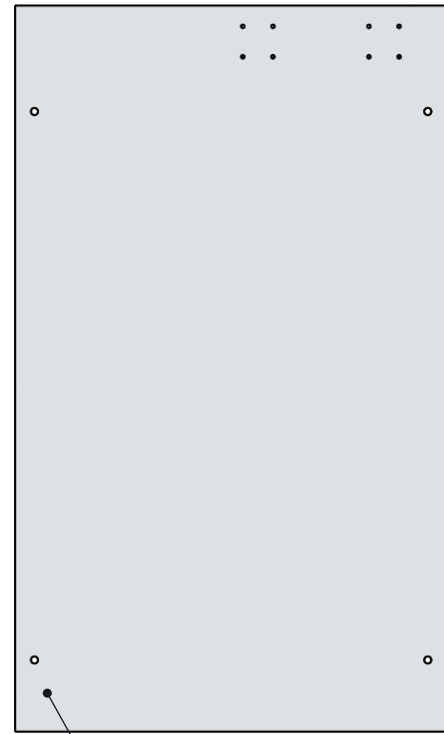
3

2

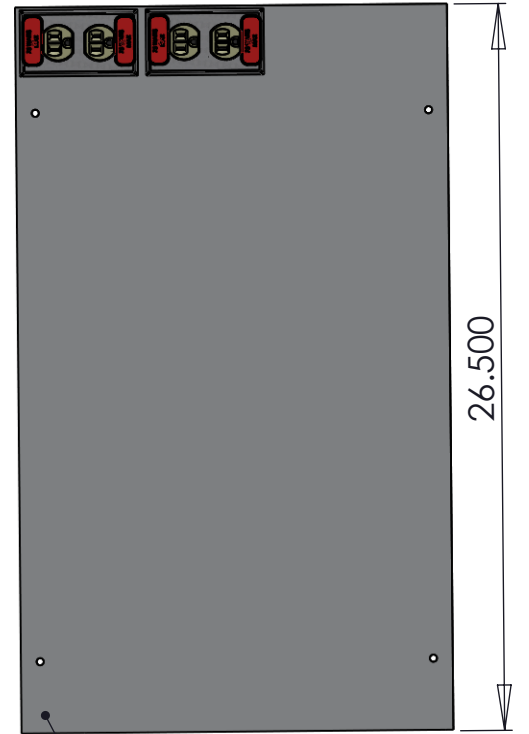
1



Assy FPA-336 S105CFM

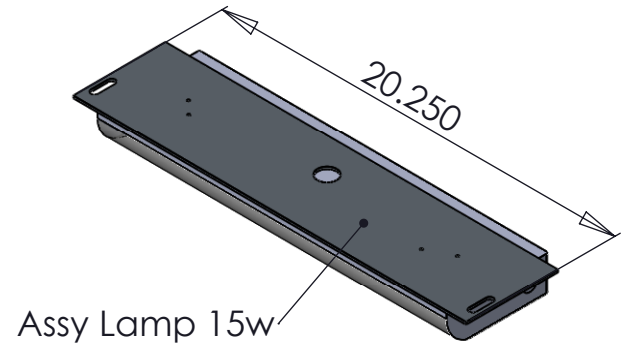


CA-AL-USP-MsDOT-TypeB-1



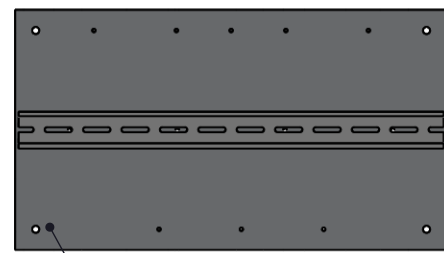
Assy USP Rt MsDOT Type B

26.500

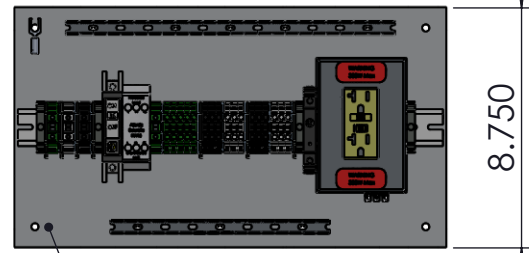


Assy Lamp 15w

20.250




Assy SP MsGOT Type B



Assy PP MsDOT Typ B RSM

8.750

 Southern Manufacturing 501 Herndon Ave Orlando, Fl. 32803 407-894-8851	NAME	DATE	Assy 336s Rack MsDOT Type B	
	DRAWN By: GWM	2009-09-17 09:05:19 AM	P/N: Assy FPA-336 S105CFM	
MATERIAL: in	CHECKED:	MFG APPR:	Sheet5	
FINISH:	Cust APPR:	Assembly, Fan Plate, Single 112 CFM BB Fan		Rev: 1
		Scale: 1:7	Sheet 5 of 6	SIZE A

PROPRIETARY AND CONFIDENTIAL

The information contained in this drawing is the sole property of Southern Manufacturing. Any reproduction in part or as a whole without the written permission of Southern Manufacturing is prohibited.

5

4

3

2

1

ITEM NO.	PART NUMBER	Syspro Number	DESCRIPTION	Qty
1	2x4 NEMA 5-20 Cover	CONDUIT-BOX DUPLEX COVER	Cover, 2x4 Outlet, Standard, Duplex	2
2	2x4 Utility Outlet Box	CONDUIT-0050-UTILITY BOX	Outlet Box, Steel, Duplex	2
3	336fpb	336FPB	Bracket, Fan Plate Thermostat/Fuse Mounting	1
4	336SINGLE4FANPLATE	336SINGLE4FANPLATE	Fan Plate, 4", Single Fan, 336/336S AC/DC (Silkscreened)	1
5	Accuride 3832-14P	SLIDE-DRAWER-14-ZP	Drawer Slide, 14"	2
6	Allen Bradley 1492EAJ35	TERMBLOCK-AB 1492EAJ35	End Anchor, Din Rail	4
7	American Florescent TUQ85	FIXTURE-STRIP-TUQ115W	Florescent Fixture, 15w, under cabinet	1
8	Atlantic Scientific 22035	SURGESUPPRESSOR-RFI-22035	Surge Suppressor, MA15, 120v, 47-63 Hz AC / 140v DC, 18 kA, 15a series wired.	1
9	CA-4x20-TUQ85Mount-2	CA-4x20-TUQ85Mount-2	Mounting Bracket, 15w Lamp	1
10	CA-AI-LSP-MSDOT TypeB-1		Panel, Lower Side Ms DOT	2
11	CA-AL-USP-MSDOT-TypeB-1		Panel, Support, Upper	2
12	CAB-AL-.75X16X21-RT-1	CAB-AL-.75X16X21-RT-1	Rack Top/Bottom 336 Style	2
13	Cab-AL-336Wirecover-1	Cab-AL-336Wirecover-1	Wire Cover, 336s Rack	1
14	CAB-CR-40X1.72X1.5-RA-3	MISC336SRACKANGLE	Rack Angle, Cad Plated, 336s, 40"	4
15	Dayton 4WT47	FAN-4-115v-105cfm	Fan 4", 115 CFM, 115v, .3a	1
16	Din Rail 6X285x15.5	DIN-MTG-TRACK 35MM	Din Rail, 35mm, Cut to Length 15.5"	2
17	Eaton 8411K7	Switch-Door-PB-6a	Switch, 1p1t, no, pb, 120v, 6a	2
18	F15T12-CW	BULB-F15T12CW	Bulb, Florescent 15W	1
19	Fuse AGC-1	FUSE AGC-1	Fuse, 1-1/4" x 1/4", Fast Blow, 250v, 1a	1
20	Fuse AGC-3	FUSE AGC-3	Fuse, 1-1/4" x 1/4", Fast Blow, 250v, 3a	1
21	GADOTA	GADOTA	Sliding Drawer Bottom	1
22	GADOTB	GADOTB	Sliding Drawer Top	1
23	GADOTHG	GADOTHG	Hinge, Sliding Drawer	1
24	GADOTMB	GADOTMB	Mounting Bracket, Sliding Drawer, 336(s)	2
25	HNUT 0.2500-20-D-N	Production Supply	Nut, Hex, 1/4"	4
26	Hubbell DRUBGF115	RECEPTACLE-GFCI-DIN-15A	Receptacle, GFCI, Din Mounted	1
27	IBOCO7578K71x12	WIREDUCT05000625	1/2x5/8x12	1
28	IBOCO7578K71x8	WIREDUCT05000625	1/2x5/8x8	1
29	Label 75watt max		Label, Warning, "75 Watts Max" Make From TZ-441	4
30	Label Warning 300W		Label, Warning, "300W" Make From TZ-441	2
31	Littlefuse 3453LF1-010	FUSE-HOLDER-345	Fuse Holder, Panel Mount, 3AG, 1/4 X 1-1/4 FUSE	2
32	Mallory 504M02QA22	NOISESUPPRESSOR-MA504M02QA220	RC Network, 200v DC, 125v AC, .5 uF, 220 Ohm, 1/2w	2
33	McMaster 9600K36	GROMMET-MC-9600K36	Grommet, Insulating, 3/4" KO Outlet Box	2
34	Microplastics 22CC50C0250	Production Supply	Loop Clamp, .250" Dia, Heavy Duty	1
35	Microplastics 22CC50C0375	Production Supply	Loop Clamp, .375" Dia, Heavy Duty	2
36	Molex 02-09-1104	CONNECTOR-MOLEX 02091102	Contact, Female, 14-20 awg, 02-09-1102 is a substitute.	4
37	Molex 02-09-2103	CONNECTOR-MOLEX 02092103	Contact, Male, 14-20 awg	6
38	Molex 03-09-1064	CONNECTOR-MOLEX 03091064	Connector Body, Female, 6 Pin, 250v, 14a	1
39	Molex 03-09-2062	CONNECTOR-MOLEX 03092062	Connector Body, Male 6 Pin, 250v, 14a	1
40	Molex 19003-0011	Production Supply	Quick Disconnect, Female, .187" Red, 18-22 AWG	4
41	Molex 19003-0013	Production supply	Quick Disconnect, Female, .110" Red, 18-22 AWG	2
42	Molex 19099-0003	Production Supply	Terminal Lug, Snap Fork, Red (18-22 AWG), #8	2
43	Molex 19099-0009	Production Supply	Terminal Lug, Snap Fork, Red (18-22 AWG), #6	8
44	Molex 19099-0019	Production Supply	Terminal Lug, Snap Fork, Blue (14-16 Awg), #8	2
45	Molex 19099-0042	Production Supply	Terminal Lug, Snap Fork, Yellow (10-12 Awg), 1/4"	1
46	Molex 19160-0041	Production Supply	Wire Nut, Orange 14-18 AWG	4
47	MSHXNUT 0.164-32-D-N	Production Supply	Hex Nut, #6	5
48	NEMA 5-15	RECEPTACLE-DUPLEX	Outlet Receptacle, 125v, 15a, Standard	2
49	PAD-VINYL-13X15.5	PAD-VINYL-13X15.5	Borco Pad for sliding drawer	1
50	PEM CLS-632-0 --S	Production Supply		4
51	PEM FH-032-10 X--S	Production Supply		5
52	Phoenix 3045130	TERMBLOCK-PHOENIX UT4WHUNI	Contact Block, UT4, White, 1000v, 32a, 10-26 awg	6
53	Phoenix 3045143	TERMBLOCK-PHOENIX UT4BK	Contact Block, UT4, Black, 1000v, 32a, 10-26 awg	6
54	Phoenix 3045156	TERMBLOCK-PHOENIX UT4GNUNI	Contact Block, UT4, Green, 1000v, 32a, 10-26 awg	5
55	Phoenix 3046317	TERMBLOCK-PHOENIX UT10WHUNI	Contact Block, UT10, White, 1000v, 76a, 6-20 awg	1
56	Phoenix 3046320	TERMBLOCK-PHOENIX UT10BK	Contact Block, UT10, Black, 1000v, 76a, 6-20 awg	1
57	Phoenix 3046322	TERMBLOCK-PHOENIX UT10GN	Contact Block, UT10, Green, 1000v, 76a, 6-20 awg	2
58	Phoenix 3047028	TERMBLOCK-PHOENIX D-UT	Cover Plate UT2.5/10	9
59	Phoenix 3047167	TERMBLOCK-PHOENIX ATP-UT PRTN	Partition ATP-UT	7
60	Rivet #66x375	Production Supply	Rivet, Large, Stainless Steel	5
61	SquareD Qou115	CIRCUIT BREAKER-15A	Circuit Breaker, 115v, 15a, Single Pole, Square D	1
62	ST-DDSB-A	ST-DDSB-A	Dual Door Switch Bracket, 336 Rack	2
63	Weidmeuller 9101603500	CIRCUIT BREAKER-2.5A-DIN	Circuit Breaker, 2.5A, 1 Pole, Weidmeuller	1
64	White Rodgers 757-1	Thermostat-Fan-8a	Thermostat, Fan, 120v AC, 8a	1
65	Wiretie	Production Supply	Wire Tie	29



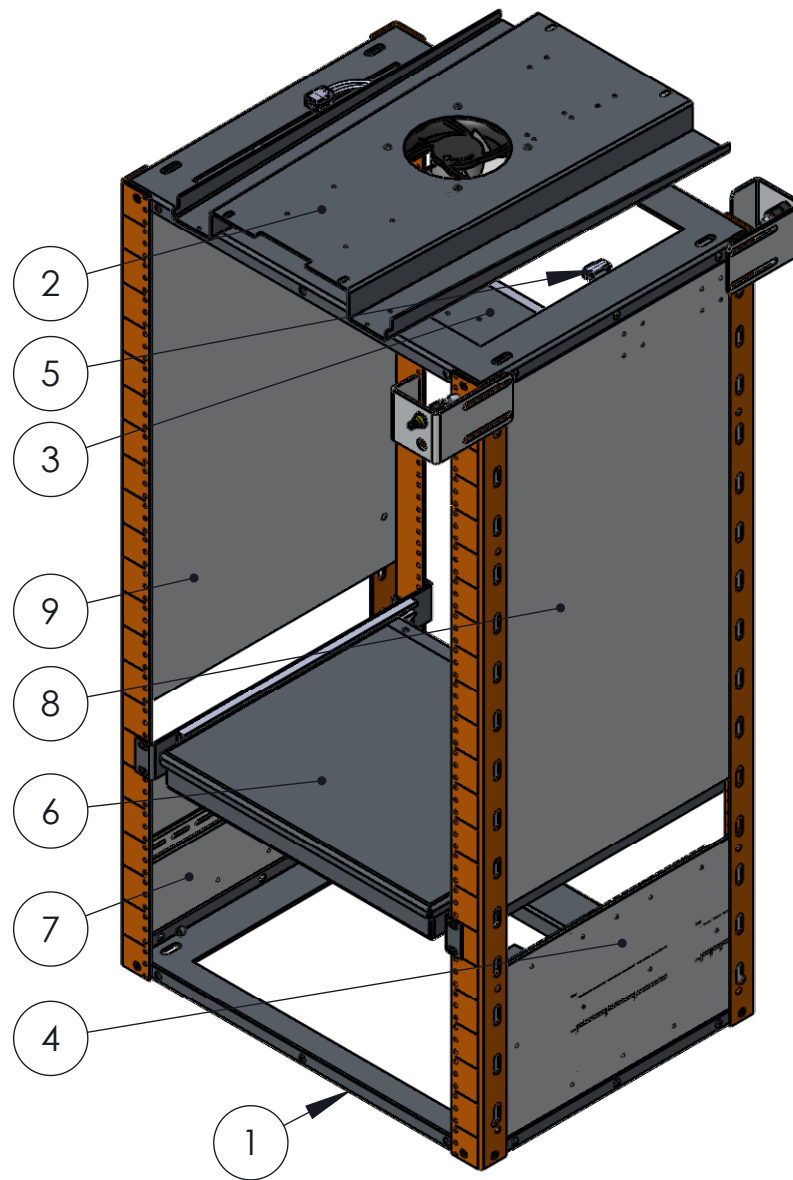
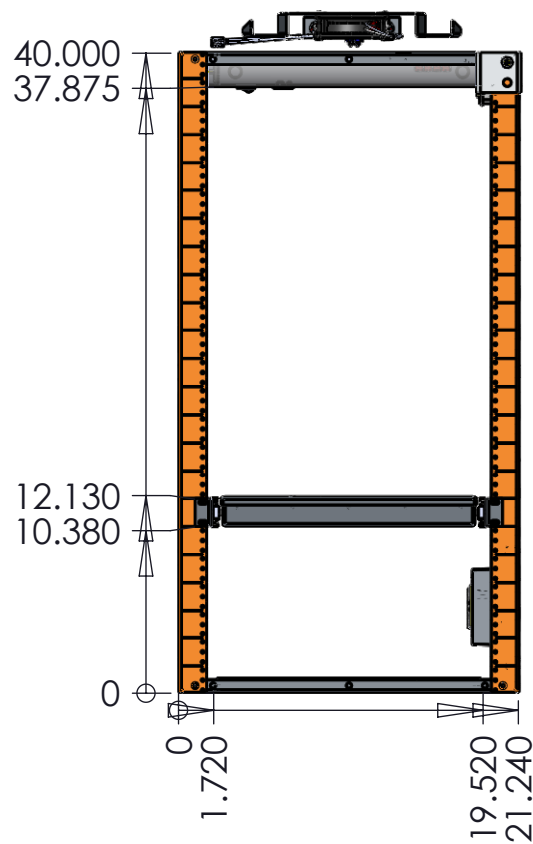
Southern Manufacturing
501 Herndon Ave
Orlando, FL 32803 407-894-8851

NAME	DATE	DWG. NO.
DRAWN	GWM	Assy 336s Rack MsDOT Type B
CHECKED		Mississippi Type B 336s Cabinet Internals
ENG APPR.		
MFG APPR.		
Q.A.		
COMMENTS:		
MATERIAL		SIZE A BOM
FINISH		REV. 1
SCALE: 1:8		WEIGHT:
		SHEET 6 OF 6

PROPRIETARY AND CONFIDENTIAL

THE INFORMATION CONTAINED IN THIS DRAWING IS THE SOLE PROPERTY OF Southern Manufacturing. ANY REPRODUCTION IN PART OR AS A WHOLE WITHOUT THE WRITTEN PERMISSION OF Southern Manufacturing IS PROHIBITED.

ITEM NO.	PART NUMBER	DESCRIPTION	Qty
1	Assy 336S RACK	Assembly, Equipment Rack, EIA 19, 336s, 40", 21u, GaDOT Configured	1
2	Assy FPA-336 S105CFM	Assembly, Fan Plate, Single 112 CFM BB Fan	1
3	Assy Lamp 15w	Lamp Assy, American Florescent 15w	1
4	Assy PP MsDOT Typ B RSM	Assembly, Power Panel, Lower Right	1
5	Assy Rack Harness 15w	Rack Harness 15w Lamp	1
6	Assy Sliding Drawer 336, GADOT	Assembly, Sliding Drawer, Rack Mounted, 1u	1
7	Assy SP MsGOT Type B	Assembly, Lower Support Panel	1
8	Assy USP Rt MsDOT Type B	Assembly, Support Panel, Rt side	1
9	CA-AL-USP-MsDOT-TypeB-1	Panel, Support, Upper	1



SOUTHERN
Manufacturing
 501 Herndon Ave
 Orlando, Fl. 32803 407-894-8851

MATERIAL: in
 FINISH:

NAME	DATE
GWM	2009-09-17 09:05:19 AM
DRAWN By:	
CHECKED:	
MFG APPR:	
Cust APPR:	

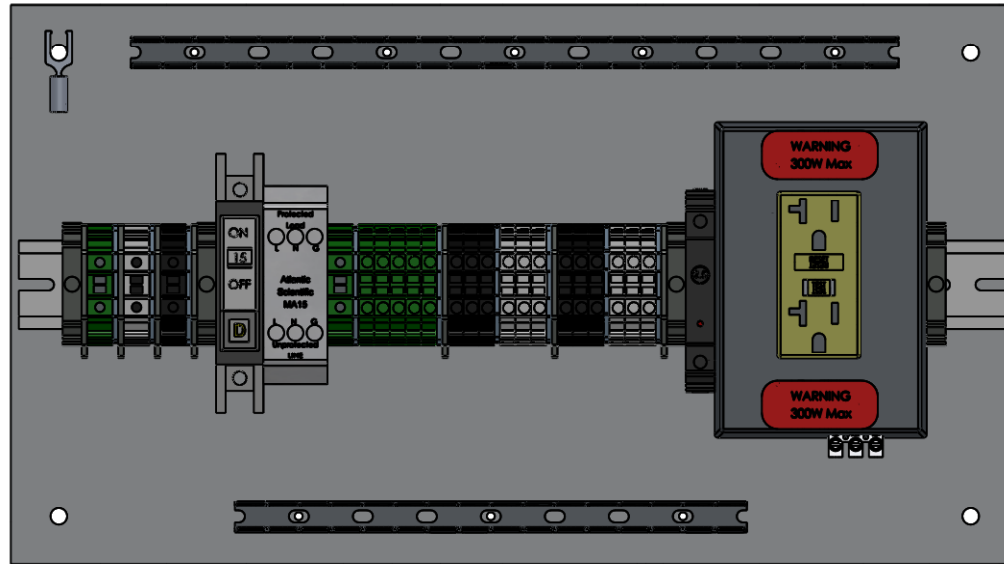
P/N: Assy 336s Rack MsDOT Type B
 Assy: Assy 336s Rack MsDOT Type B

Sheet1
 Mississippi Type B 336s Cabinet Internals

Scale: 1:8 Sheet 1 of 6 Rev: 1 SIZE **A**

PROPRIETARY AND CONFIDENTIAL

The information contained in this drawing is the sole property of Southern Manufacturing. Any reproduction in part or as a whole without the written permission of Southern Manufacturing is prohibited.



ITEM NO.	PART NUMBER	Syspro Number	DESCRIPTION	Qty
1	Din Rail 6X285x15.5	DIN-MTG-TRACK 35MM	Din Rail, 35mm, Cut to Length15.5"	1
2	Allen Bradley 1492EAJ35	TERMBLOCK-AB 1492EAJ35	End Anchor, Din Rail	4
3	Phoenix 3046317	TERMBLOCK-PHOENIX UT10WHUNI	Contact Block, UT10, White, 1000v, 76a, 6-20 awg	1
4	Phoenix 3046320	TERMBLOCK-PHOENIX UT10BK	Contact Block, UT10, Black, 1000v, 76a, 6-20 awg	1
5	Phoenix 3046322	TERMBLOCK-PHOENIX UT10GN	Contact Block, UT10, Green, 1000v, 76a, 6-20 awg	2
6	Phoenix 3047167	TERMBLOCK-PHOENIX ATP-UT PRTN	Partition ATP-UT	7
7	Phoenix 3047028	TERMBLOCK-PHOENIX D-UT	Cover Plate UT2.5/10	9
8	Phoenix 3045156	TERMBLOCK-PHOENIX UT4GNUNI	Contact Block, UT4, Green, 1000v, 32a, 10-26 awg	5
9	Phoenix 3045130	TERMBLOCK-PHOENIX UT4WHUNI	Contact Block, UT4, White, 1000v, 32a, 10-26 awg	6
10	Phoenix 3045143	TERMBLOCK-PHOENIX UT4BK	Contact Block, UT4, Black, 1000v, 32a, 10-26 awg	6
11	Hubbell DRUBGF115	RECEPTACLE-GFCI-DIN-15A	Recepticle, GFCI, Din Mounted	1
12	SquareD Qou115	CIRCUIT BREAKER-15A	Circuit Breaker, 115v, 15a, Single Pole, Square D	1
13	Weidmeuller 9101603500	CIRCUIT BREAKER-2.5A-DIN	Circuit Breaker, 2.5A, 1 Pole, Weidmeuller	1
14	Atlantic Scientific 22035	SURGESUPPRESSOR-RFI-22035	Surge Spressor, MA15, 120v, 47-63 Hz AC / 140v DC, 18 kA, 15a series wired.	1
15	Label Warning 300W		Label, Warning, "300W" Make From TZ-441	2
16	IBOCO7578K71x12	WIREDUCT05000625	1/2x5/8x12	1
17	IBOCO7578K71x8	WIREDUCT05000625	1/2x5/8x8	1
18	CA-AI-LSP-MsDOT TypeB-1		Panel, Lower Side Ms DOT	1
19	Molex 19099-0042	Production Supply	Terminal Lug, Snap Fork, Yellow (10-12 Awg), 1/4"	1



Manufacturing

501 Herndon Ave
Orlando, Fl. 32803 407-894-8851

MATERIAL: in

FINISH:

DRAWN By:

MFG APPR:

Cust APPR:

NAME

DATE

2009-09-17
09:05:19
AM

P/N: Assy PP MsDOT Typ B RSM

Assy: Assy 336s Rack MsDOT Type B

Sheet2

Assembly, Power Panel, Lower Right

Rev:

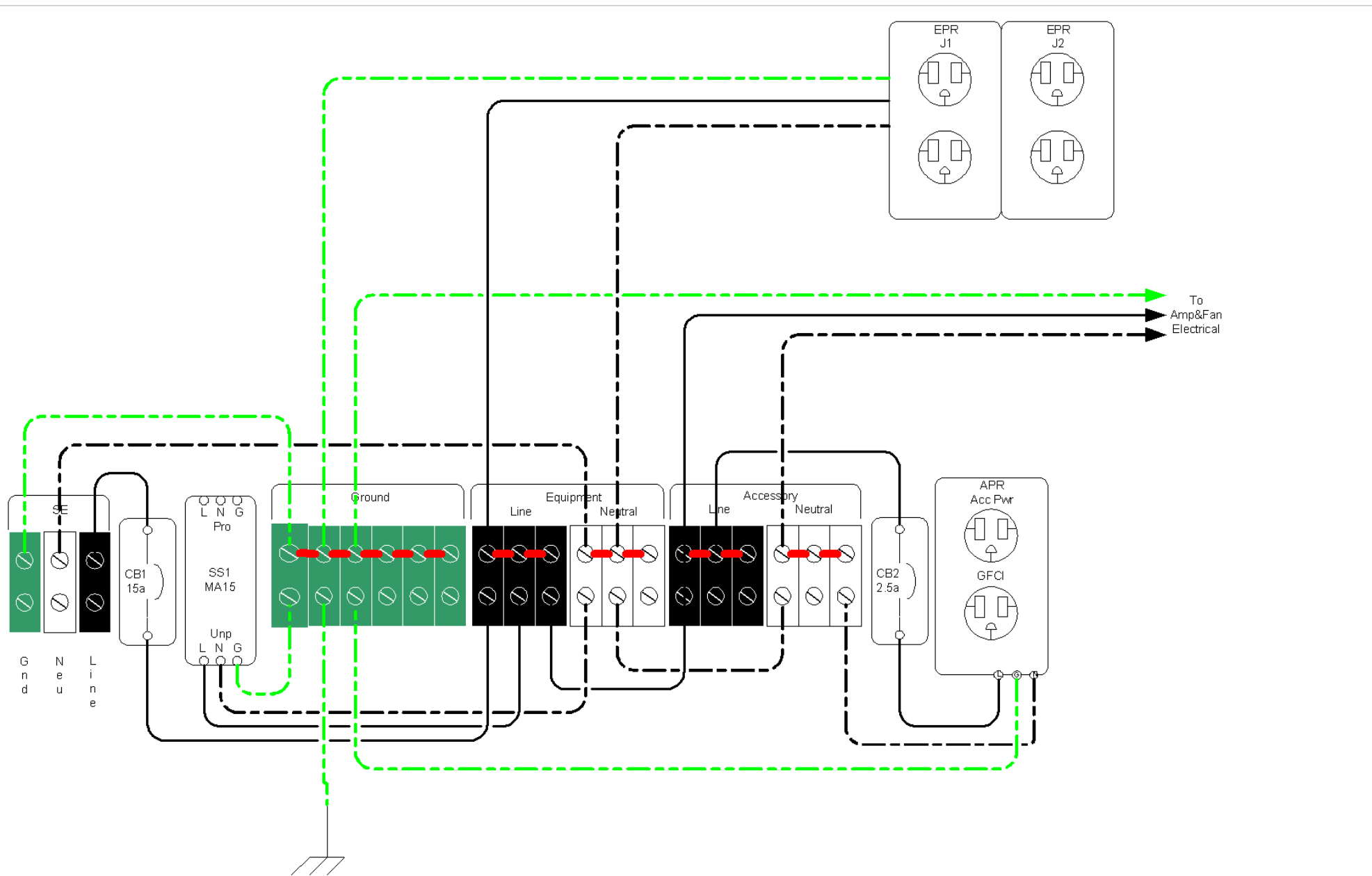
Scale: 1:3

Sheet 2 of 6


SIZE **A**

PROPRIETARY AND CONFIDENTIAL

The information contained in this drawing is the sole property of Southern Manufacturing. Any reproduction in part or as a whole without the written permission of Southern Manufacturing is prohibited.



PROPRIETARY AND CONFIDENTIAL
 The information contained in this drawing is the sole property of Southern Manufacturing. Any reproduction in part or as a whole without the written permission of Southern Manufacturing is prohibited.

 Southern Manufacturing 501 Herndon Ave Orlando, Fl. 32803 407-894-8851	NAME	DATE	Ass'y: Ass'y 336s Rack MsDOT Type B	
	DRAWN By:	2009-09-17 09:05:19 AM	P/N:	
MATERIAL: in	CHECKED:	MFG APPR:	Sheet3	
FINISH:	Cust APPR:		Scale: 1:3	Rev:
			Sheet 3 of 6	SIZE A

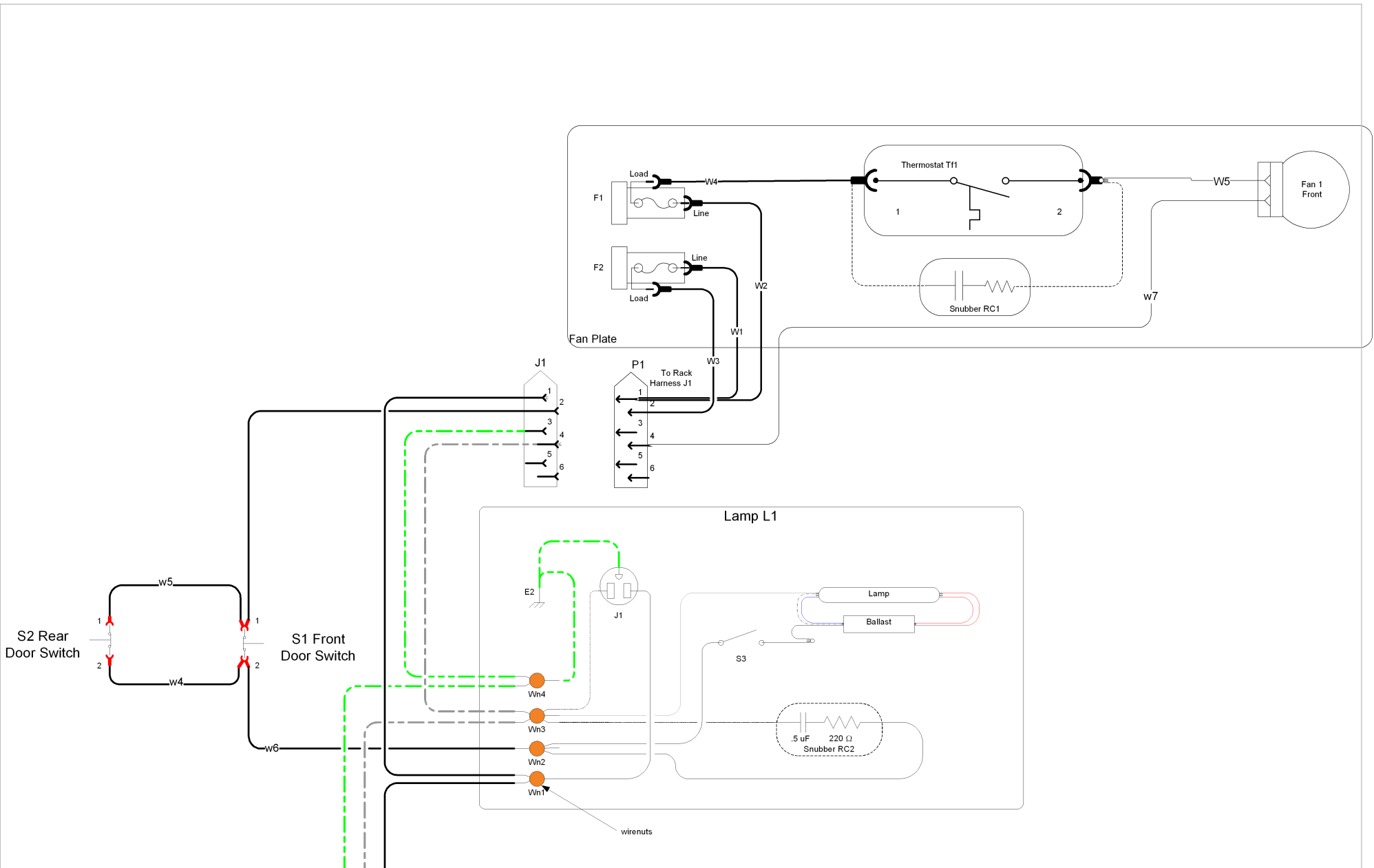
5

4

3

2

1



To Power Panel Ground ---
 To Power Panel Neutral ---
 To Power Panel Accessory Line ---

PROPRIETARY AND CONFIDENTIAL

The information contained in this drawing is the sole property of Southern Manufacturing. Any reproduction in part or as a whole without the written permission of Southern Manufacturing is prohibited.

		Southern Manufacturing 501 Herndon Ave Orlando, FL 32803 407-894-8851		Assy: Ass'y 336s Rack MsDOT Type B	
				P/N:	
DRAWN By:		NAME		DATE	
CHECKED:				2009-09-17 09:05:19 AM	
MATERIAL: in		MFG APPR:		Sheet4	
FINISH:		Cust APPR:		Rev:	
				Scale: 1:3	
				Sheet 4 of 6	
				SIZE A	

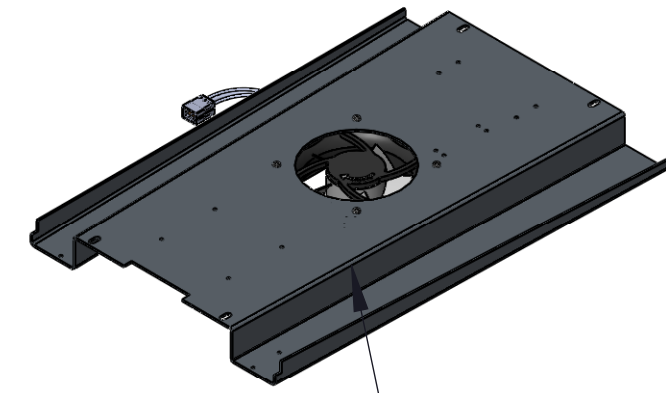
5

4

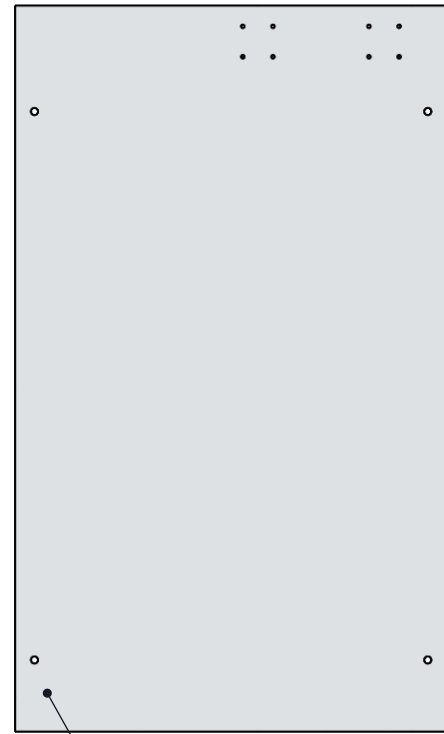
3

2

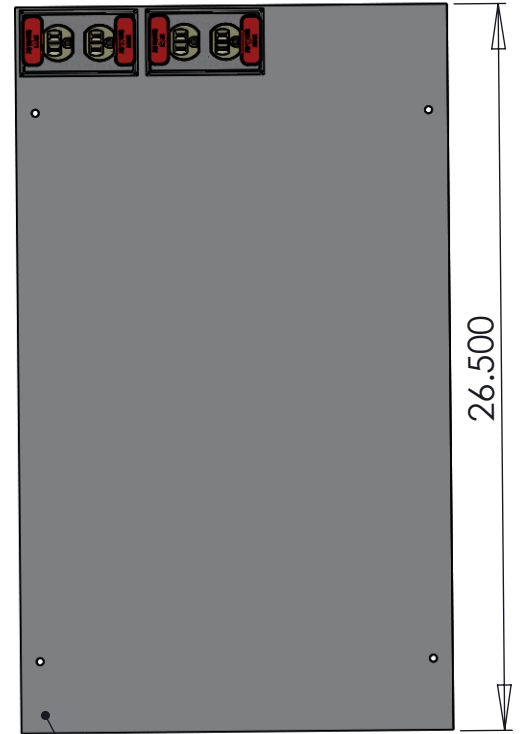
1



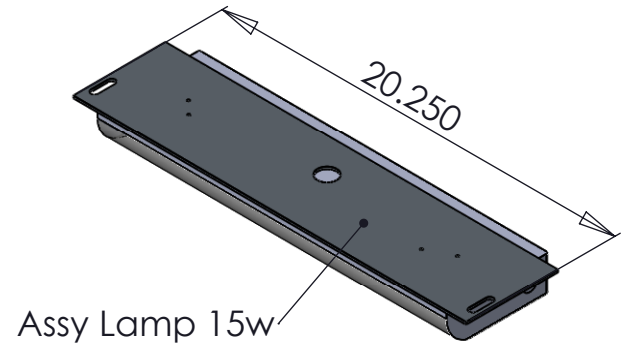
Assy FPA-336 S105CFM



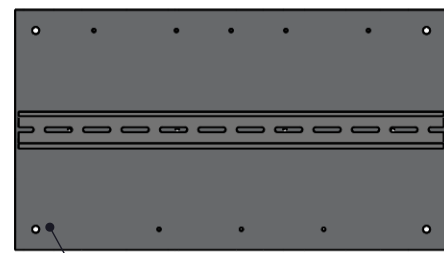
CA-AL-USP-MsDOT-TypeB-1



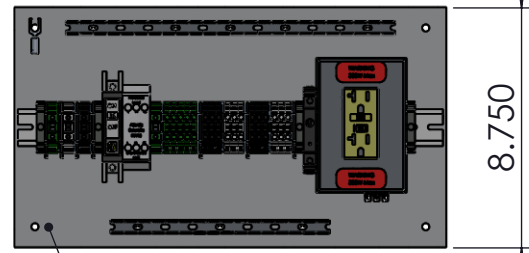
Assy USP Rt MsDOT Type B




Assy Lamp 15w



Assy SP MsGOT Type B



Assy PP MsDOT Typ B RSM

 Southern Manufacturing 501 Herndon Ave Orlando, Fl. 32803 407-894-8851	NAME	DATE	Assy 336s Rack MsDOT Type B	
	DRAWN By: GWM	2009-09-17 09:05:19 AM	P/N: Assy FPA-336 S105CFM	
MATERIAL: in	CHECKED:	MFG APPR:	Sheet5	
FINISH:	Cust APPR:	Assembly, Fan Plate, Single 112 CFM BB Fan		Rev: 1
		Scale: 1:7	Sheet 5 of 6	SIZE A

PROPRIETARY AND CONFIDENTIAL
 The information contained in this drawing is the sole property of Southern Manufacturing. Any reproduction in part or as a whole without the written permission of Southern Manufacturing is prohibited.

ITEM NO.	PART NUMBER	Syspro Number	DESCRIPTION	Qty
1	2x4 NEMA 5-20 Cover	CONDUIT-BOX DUPLEX COVER	Cover, 2x4 Outlet, Standard, Duplex	2
2	2x4 Utility Outlet Box	CONDUIT-0050-UTILITY BOX	Outlet Box, Steel, Duplex	2
3	336fpb	336FPB	Bracket, Fan Plate Thermostat/Fuse Mounting	1
4	336SINGLE4FANPLATE	336SINGLE4FANPLATE	Fan Plate, 4", Single Fan, 336/336S AC/DC (Silkscreened)	1
5	Accuride 3832-14P	SLIDE-DRAWER-14-ZP	Drawer Slide, 14"	2
6	Allen Bradley 1492EAJ35	TERMBLOCK-AB 1492EAJ35	End Anchor, Din Rail	4
7	American Florescent TUQ85	FIXTURE-STRIP-TUQ115W	Florescent Fixture, 15w, under cabinet	1
8	Atlantic Scientific 22035	SURGESUPPRESSOR-RFI-22035	Surge Suppressor, MA15, 120v, 47-63 Hz AC / 140v DC, 18 kA, 15a series wired.	1
9	CA-4x20-TUQ85Mount-2	CA-4x20-TUQ85Mount-2	Mounting Bracket, 15w Lamp	1
10	CA-AI-LSP-MSDOT TypeB-1		Panel, Lower Side Ms DOT	2
11	CA-AL-USP-MSDOT-TypeB-1		Panel, Support, Upper	2
12	CAB-AL-.75X16X21-RT-1	CAB-AL-.75X16X21-RT-1	Rack Top/Bottom 336 Style	2
13	Cab-AL-336Wirecover-1	Cab-AL-336Wirecover-1	Wire Cover, 336s Rack	1
14	CAB-CR-40X1.72X1.5-RA-3	MISC336SRACKANGLE	Rack Angle, Cad Plated, 336s, 40"	4
15	Dayton 4WT47	FAN-4-115v-105cfm	Fan 4", 115 CFM, 115v, .3a	1
16	Din Rail 6X285x15.5	DIN-MTG-TRACK 35MM	Din Rail, 35mm, Cut to Length 15.5"	2
17	Eaton 8411K7	Switch-Door-PB-6a	Switch, 1p1t, no, pb, 120v, 6a	2
18	F15T12-CW	BULB-F15T12CW	Bulb, Florescent 15W	1
19	Fuse AGC-1	FUSE AGC-1	Fuse, 1-1/4" x 1/4", Fast Blow, 250v, 1a	1
20	Fuse AGC-3	FUSE AGC-3	Fuse, 1-1/4" x 1/4", Fast Blow, 250v, 3a	1
21	GADOTA	GADOTA	Sliding Drawer Bottom	1
22	GADOTB	GADOTB	Sliding Drawer Top	1
23	GADOTHG	GADOTHG	Hinge, Sliding Drawer	1
24	GADOTMB	GADOTMB	Mounting Bracket, Sliding Drawer, 336(s)	2
25	HNUT 0.2500-20-D-N	Production Supply	Nut, Hex, 1/4"	4
26	Hubbell DRUBGF115	RECEPTACLE-GFCI-DIN-15A	Receptacle, GFCI, Din Mounted	1
27	IBOCO7578K71x12	WIREDUCT05000625	1/2x5/8x12	1
28	IBOCO7578K71x8	WIREDUCT05000625	1/2x5/8x8	1
29	Label 75watt max		Label, Warning, "75 Watts Max" Make From TZ-441	4
30	Label Warning 300W		Label, Warning, "300W" Make From TZ-441	2
31	Littlefuse 3453LF1-010	FUSE-HOLDER-345	Fuse Holder, Panel Mount, 3AG, 1/4 X 1-1/4 FUSE	2
32	Mallory 504M02QA22	NOISESUPPRESSOR-MA504M02QA220	RC Network, 200v DC, 125v AC, .5 uF, 220 Ohm, 1/2w	2
33	McMaster 9600K36	GROMMET-MC-9600K36	Grommet, Insulating, 3/4" KO Outlet Box	2
34	Microplastics 22CC50C0250	Production Supply	Loop Clamp, .250" Dia, Heavy Duty	1
35	Microplastics 22CC50C0375	Production Supply	Loop Clamp, .375" Dia, Heavy Duty	2
36	Molex 02-09-1104	CONNECTOR-MOLEX 02091102	Contact, Female, 14-20 awg, 02-09-1102 is a substitute.	4
37	Molex 02-09-2103	CONNECTOR-MOLEX 02092103	Contact, Male, 14-20 awg	6
38	Molex 03-09-1064	CONNECTOR-MOLEX 03091064	Connector Body, Female, 6 Pin, 250v, 14a	1
39	Molex 03-09-2062	CONNECTOR-MOLEX 03092062	Connector Body, Male 6 Pin, 250v, 14a	1
40	Molex 19003-0011	Production Supply	Quick Disconnect, Female, .187" Red, 18-22 AWG	4
41	Molex 19003-0013	Production supply	Quick Disconnect, Female, .110" Red, 18-22 AWG	2
42	Molex 19099-0003	Production Supply	Terminal Lug, Snap Fork, Red (18-22 AWG), #8	2
43	Molex 19099-0009	Production Supply	Terminal Lug, Snap Fork, Red (18-22 AWG), #6	8
44	Molex 19099-0019	Production Supply	Terminal Lug, Snap Fork, Blue (14-16 Awg), #8	2
45	Molex 19099-0042	Production Supply	Terminal Lug, Snap Fork, Yellow (10-12 Awg), 1/4"	1
46	Molex 19160-0041	Production Supply	Wire Nut, Orange 14-18 AWG	4
47	MSHXNUT 0.164-32-D-N	Production Supply	Hex Nut, #6	5
48	NEMA 5-15	RECEPTACLE-DUPLEX	Outlet Receptacle, 125v, 15a, Standard	2
49	PAD-VINYL-13X15.5	PAD-VINYL-13X15.5	Borco Pad for sliding drawer	1
50	PEM CLS-632-0 --S	Production Supply		4
51	PEM FH-032-10 X--S	Production Supply		5
52	Phoenix 3045130	TERMBLOCK-PHOENIX UT4WHUNI	Contact Block, UT4, White, 1000v, 32a, 10-26 awg	6
53	Phoenix 3045143	TERMBLOCK-PHOENIX UT4BK	Contact Block, UT4, Black, 1000v, 32a, 10-26 awg	6
54	Phoenix 3045156	TERMBLOCK-PHOENIX UT4GNUNI	Contact Block, UT4, Green, 1000v, 32a, 10-26 awg	5
55	Phoenix 3046317	TERMBLOCK-PHOENIX UT10WHUNI	Contact Block, UT10, White, 1000v, 76a, 6-20 awg	1
56	Phoenix 3046320	TERMBLOCK-PHOENIX UT10BK	Contact Block, UT10, Black, 1000v, 76a, 6-20 awg	1
57	Phoenix 3046322	TERMBLOCK-PHOENIX UT10GN	Contact Block, UT10, Green, 1000v, 76a, 6-20 awg	2
58	Phoenix 3047028	TERMBLOCK-PHOENIX D-UT	Cover Plate UT2.5/10	9
59	Phoenix 3047167	TERMBLOCK-PHOENIX ATP-UT PRTN	Partition ATP-UT	7
60	Rivet #66x375	Production Supply	Rivet, Large, Stainless Steel	5
61	SquareD Qou115	CIRCUIT BREAKER-15A	Circuit Breaker, 115v, 15a, Single Pole, Square D	1
62	ST-DDSB-A	ST-DDSB-A	Dual Door Switch Bracket, 336 Rack	2
63	Weidmeuller 9101603500	CIRCUIT BREAKER-2.5A-DIN	Circuit Breaker, 2.5A, 1 Pole, Weidmeuller	1
64	White Rodgers 757-1	Thermostat-Fan-8a	Thermostat, Fan, 120v AC, 8a	1
65	Wiretie	Production Supply	Wire Tie	29



Southern Manufacturing
501 Herndon Ave
Orlando, FL 32803 407-894-8851

NAME	DATE	DWG. NO.
DRAWN	GWM	Assy 336s Rack MsDOT Type B
CHECKED		Mississippi Type B 336s Cabinet Internals
ENG APPR.		
MFG APPR.		
Q.A.		
COMMENTS:		
MATERIAL		SIZE
FINISH		A BOM
		REV.
		1
	SCALE:1:8	WEIGHT:
		SHEET 6 OF 6

PROPRIETARY AND CONFIDENTIAL

THE INFORMATION CONTAINED IN THIS DRAWING IS THE SOLE PROPERTY OF Southern Manufacturing. ANY REPRODUCTION IN PART OR AS A WHOLE WITHOUT THE WRITTEN PERMISSION OF Southern Manufacturing IS PROHIBITED.