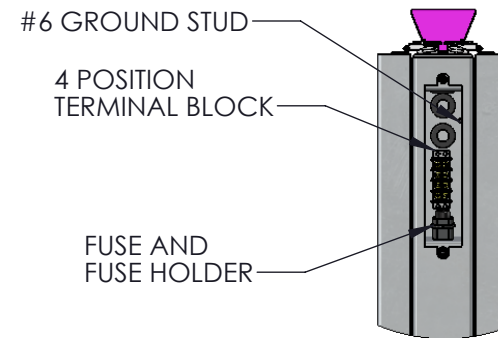
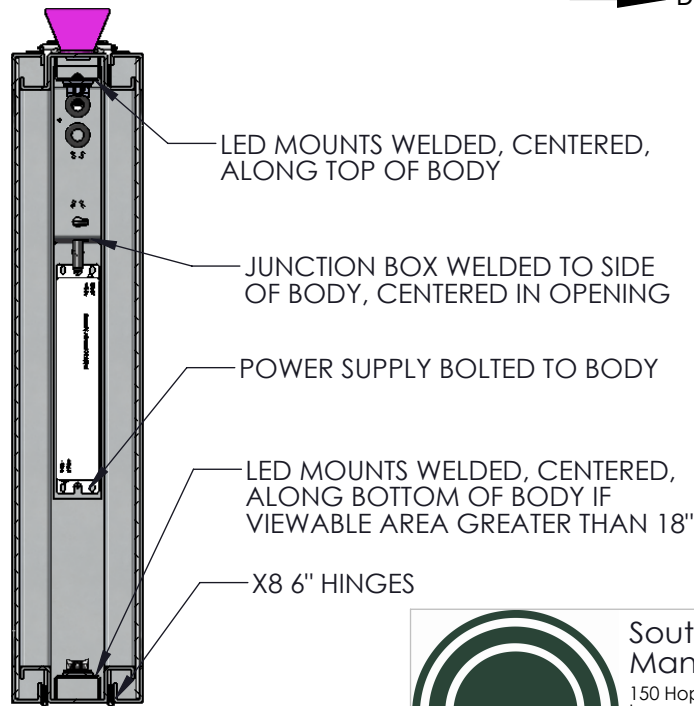


SECTION B-B
SCALE 1 : 8



DETAIL A
SCALE 1 : 9
COVER REMOVED

NOTE:
CLEAN PROFILE TYPE SIGN SIZES ARE DRIVEN BY THE VIEWABLE AREA.

PROPRIETARY AND CONFIDENTIAL

The information contained in this drawing is the sole property of Southern Manufacturing. Any reproduction in part or as a whole without the written permission of Southern Manufacturing is prohibited.



Southern Manufacturing
150 Hope Street
Longwood, FL 32750
ph: 407-894-8851
fx: 407-831-1508

MATERIAL: 5052H-32 ALUMINUM .125"
FINISH: POWDER COAT OUTSIDE: PER CUSTOMER
POWDER COAT INSIDE: WHITE

	NAME	DATE
DRAWN By:	TSH	11/7/2012
CHECKED:		
MFG APPR:		
Cust APPR:		

SOUTHERN MANUFACTURING CO.

P/N: CPD SUBMITTAL

CLEAN PROFILE, DOUBLE FACE
SUBMITTAL DETAILS

Scale: Sheet 1 of 1

Rev: 1
SIZE **A**