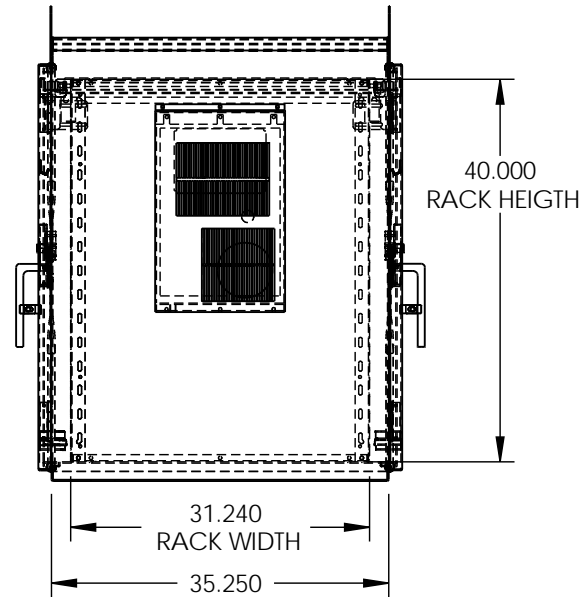
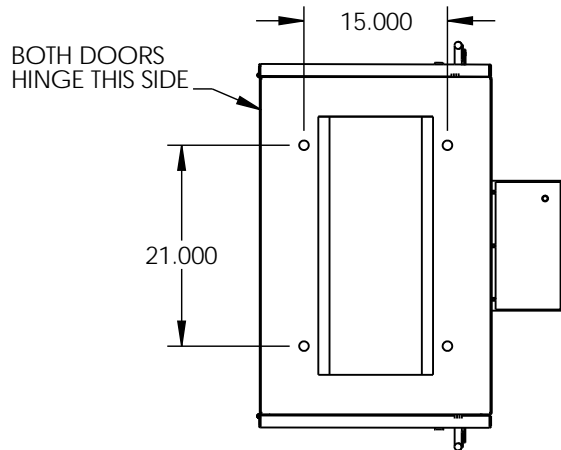
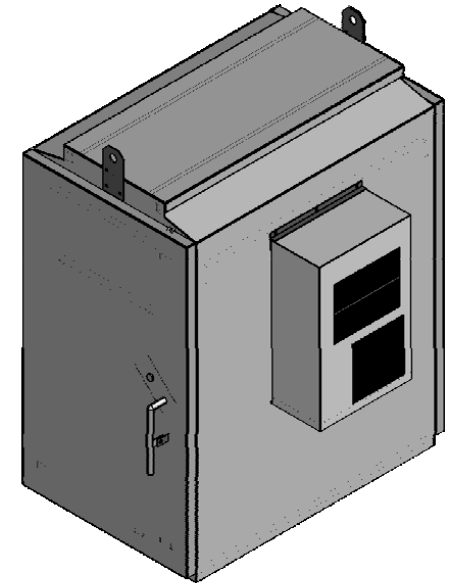


FRONT VIEW



RIGHT SIDE VIEW



**BOTTOM VIEW
(MOUNTING PATTERN)**

NOTES

1. CABINET IS CONSTRUCTED FROM .125" THICK 5052 H-32 ALUMINUM TO NEMA 3R STANDARDS AND IS BASE MOUNTED .
2. CABINET HAS AN EXTERNAL , RIGHT SIDE MOUNTED AIR CONTITIONER,KOOLTRONIC #KA4C3DP21LY,120 VAC, 3000 BTU , SHORT CYCLE PROTECTED.
3. CABINET HAS INSULATION , FOIL FACE ,POLYETHELENE , BUBBLE WRAP 5/16" THICK.
4. FRONT DOOR IS HINGED ON THE LEFT (AS VIEWED FROM FRONT) , REAR DOOR IS HINGED ON RIGHT (AS VIEWED FROM REAR).
5. DOORS HAVE THREE POINT LATCHING , A TWO POSITION DOOR STOP ,A 3/4" PAD LOCKABLE STAINLESS STEEL HANDLE , A #2 DOOR LOCK , AND NEOPRENE GASKET ALL AROUND.
6. DOORS DO NOT HAVE LOUVERS AND ALL VENTS ARE SEALED.
7. CABINET HAS A STANDARD 19" EIA RACK APPROX. 21.25" X 31.25" X40"
8. RACK HAS REMOVEABLE FRONT AND REAR DOOR SWITCH BRACKETS.
9. ALL HARDWARE IS STAINLESS STEEL.



Southern Manufacturing

501 Herndon Ave
Orlando, Fl. 32803
ph: 407-894-8851
fx: 407-894-5373

MATERIAL: 5052H-32 ALUMINUM .125"

FINISH:

NAME

DATE

DRAWN By: LAB 2/1/2010

CHECKED:

MFG APPR:

Cust APPR:

**INTELLIGENT IMAGING
SYSTEMS INC.**

P/N: 336S-ED35-SUBMITTAL

**46 X 24.25 X 35.25 336S
EXTENDED DEPTH**

Scale: 1:20

Sheet 1 of 1

Rev: 0
SIZE **A**

PROPRIETARY AND CONFIDENTIAL

The information contained in this drawing is the sole property of Southern Manufacturing. Any reproduction in part or as a whole without the written permission of Southern Manufacturing is prohibited.