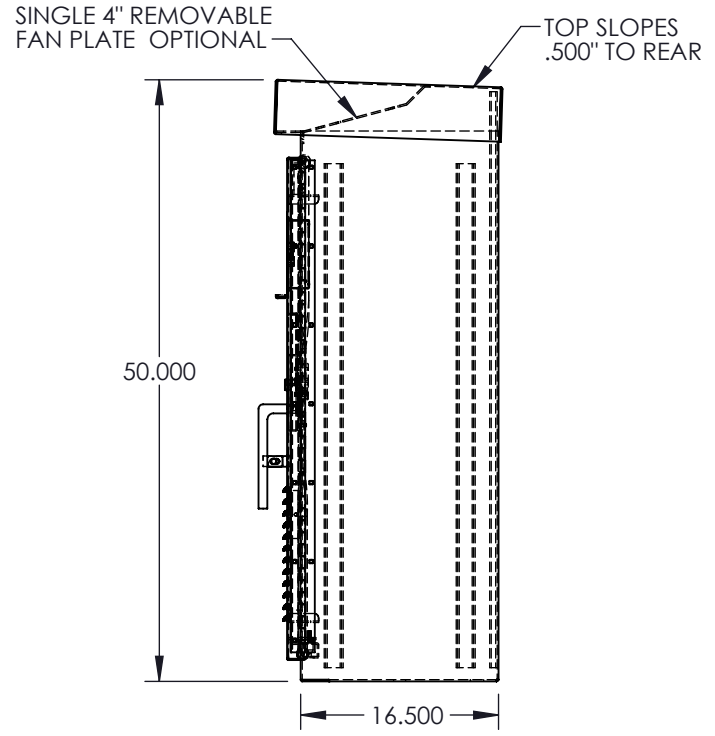
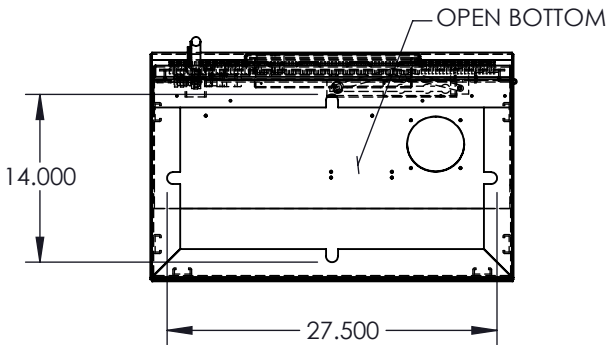


FRONT VIEW



RIGHT SIDE VIEW



BOTTOM VIEW

NOTES

1. CABINET IS CONSTRUCTED FROM .125" THICK 5052 H-32 ALUMINUM AND IS BASE MOUNTED.
2. CABINET HAS TWO EQUIPMENT MOUNTING RAILS ON THE LEFT AND RIGHT SIDES AND TWO RAILS ON THE REAR WALL.
3. DOOR HAS LOUVERS WITH A 14" X 20" FIBERGLASS AIR FILTER (A REMOVABLE FAN PLATE IS OPTIONAL), THREE POINT LATCHING WITH A #2 LOCK , A THREE POSITION DOOR STOP , A DOOR STIFFENER , A POLICE COMPARTMENT WITH A SKELETON LOCK , AND IS SEALED WITH NEOPRENE GASKET.
4. DOOR ALSO HAS A CONTINUOUS STAINLESS STEEL HINGE AND A 3/4" DIA PAD-LOCKABLE STAINLESS STEEL HANDLE.
5. ALL HARDWARE IS STAINLESS STEEL.
6. CABINET IS RATED 3R AND IS UL LISTED.



Southern Manufacturing
 150 Hope Street
 Suite 1000
 Longwood, FL 32750
 ph: 407-894-8851
 fx: 407-831-1508

MATERIAL: 5052 H-32 ALUMINUM .125"

FINISH:

NAME	DATE
LAB	5/23/2012
DRAWN By:	
CHECKED:	
MFG APPR:	
Cust APPR:	

SOUTHERN MANUFACTURING CO.

P/N: CA-50X30X16.5-SUBMITTAL

SUBMITTAL DRAWING

Scale: 1:16 Sheet 1 of 1

Rev: 0
 SIZE **A**

PROPRIETARY AND CONFIDENTIAL

The information contained in this drawing is the sole property of Southern Manufacturing. Any reproduction in part or as a whole without the written permission of Southern Manufacturing is prohibited.