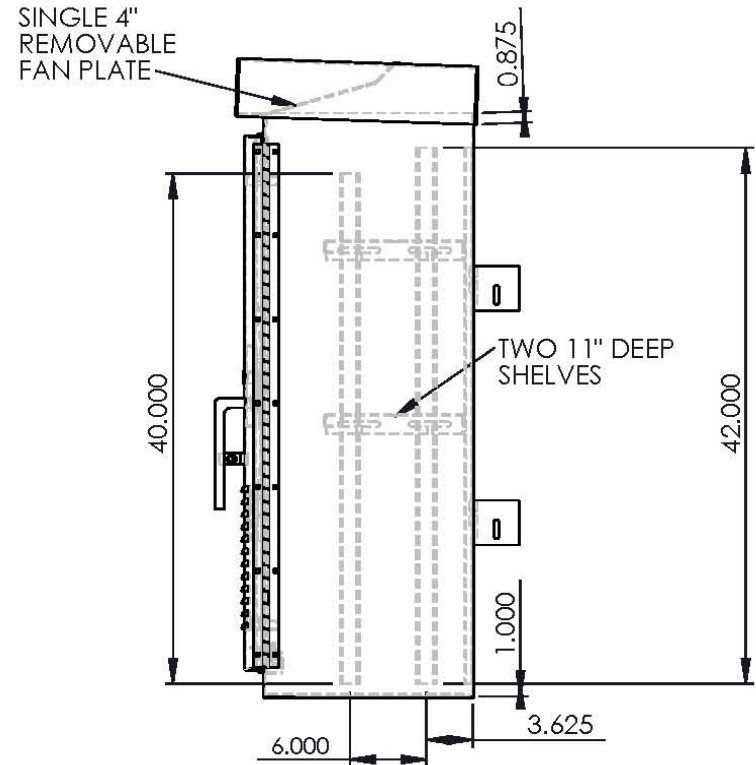
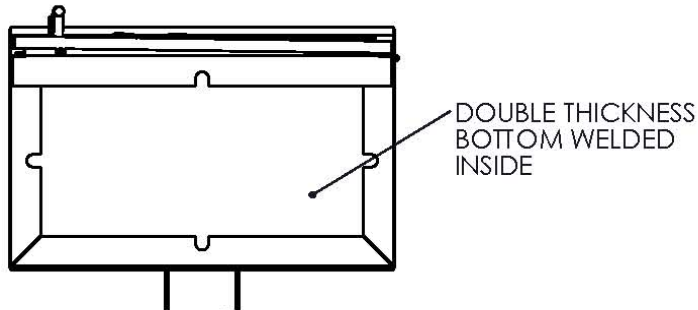


FRONT VIEW



RIGHT SIDE VIEW



BOTTOM VIEW

POLE MOUNTING BRACKETS SHIPPED WITH CABINET



Southern Manufacturing
 501 Herndon Ave
 Orlando, FL 32803
 ph: 407-894-8851
 fx: 407-894-5373

MATERIAL: 5052H-32 ALUMINUM .125"
 FINISH:

				ADOT TYPE III	
NAME	DATE				
DRAWN By: LAB	11/3/2008	P/N: CA-50X30X16.5-HD-MAIN-ASSY			
CHECKED:		MAIN ASSY			Rev: 0
MFG APPR:		Scale: 1:15 Sheet 19 of 21			SIZE A
Cust APPR:					

PROPRIETARY AND CONFIDENTIAL

The information contained in this drawing is the sole property of Southern Manufacturing. Any reproduction in part or as a whole without the written permission of Southern Manufacturing is prohibited.